

Parts Catalog
Nautilus E
Battery Operated
Rider Scrubber



PREFACE

Thank you for your purchase of the new industry standard for scrubbers. PowerBoss® takes great pride in offering the most dependable, reliable and best value in industrial power scrubbers and sweepers. We set the standard.

Our Customer Service Department would like to hear from you. If you see any errors, omissions or something that needs clarification in this Parts Catalog please let us know. We are working hard towards continually improving our processes to bring you the best you deserve. Please copy the form below, fill out and comment on how you found our catalog.

Thank you!
The PowerBoss Team

Name: _____

Title: _____

Company Name: _____

Address: _____

Country: _____

Type of equipment or model number: _____

Comments: _____

Please return to:

Customer Service Manager
PowerBoss®, Minuteman International, Inc.
14N845 U.S. Route 20
Pingree Grove, Illinois 60140 USA

Phone: (800) 323-9420

Email: tech@powerboss.com

This is the Parts Catalog for the PowerBoss® Nautilus Electric Scrubber machine.

This catalog covers the Standard Nautilus Electric machine beginning September 2019.

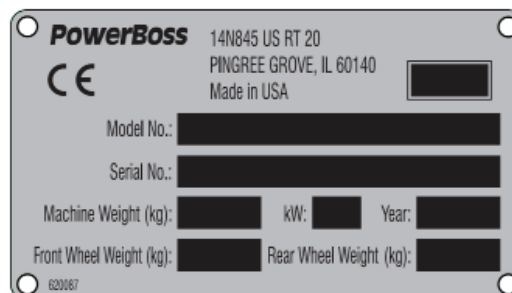
We believe this machine will provide excellent service for many years. Best results will be obtained if:

- The machine is operated with reasonable care.
- The machine is maintained regularly per the maintenance schedule provided in the User Manual.
- The machine is maintained with PowerBoss® supplied or equivalent parts.

All right side and left side references to the machine (except for engine) are determined by facing the direction of forward travel. The front of the engine or engine fan faces the front of the machine. Some hardware considered to be common or locally available has been omitted from the parts section to make this manual clear. Be sure to use equivalent hardware when replacement becomes necessary.

The Model and Serial Number of your machine is shown on the I.D. name plate. This information is needed when contacting Technical Support or when ordering parts. The I.D. plate is mounted on the left side wall of the operator seating area.

Example I.D Plate:



Parts may be ordered by phone, fax or e-mail from any PowerBoss® parts and service center. Before ordering parts or supplies, be sure to have your machine model number and serial number handy. For your convenience Fill out the data block below for future reference.

MACHINE DATA Fill out at installation
Serial Number: _____
Engine Serial Number: _____
Sales Rep.: _____
Date of Install: _____

All information contained in this catalog is current at the time of printing. Minuteman International, Inc. reserves the right to make changes at any time without notice.

PowerBoss®, Minuteman International, Inc., Copyright 2019, Printed in USA

TECHNICAL SPECIFICATIONS

Model: Nautilus E Rider Scrubber/Sweeper
Model No.: SM45DQP, SM45CQP

Nautilus CE Rider Scrubber/Sweeper
SM45DQP-CE, SM45CQP-CE

SPECIFICATIONS	CYLINDRICAL
Scrubbing Path (main scrub deck) with scrubbing side brush	45 in / 1,143 mm 55.5 in / 1,409.7
Cylindrical brush speed	500 rpm
Cylindrical brush down force (up to)	400 lb / 181 kg
Cylindrical Debris hopper	1 ft ³ / 28 Liters
Disk brush speed	315 rpm
Disk brush down force (up to)	400 lb / 181 kg
Solution tank	90 gal / 341 L
Recovery tank (including demister chamber)	104 gal / 394 L
Vacuum fan power	(2) @ .8 hp
Vacuum fan speed	14,500 rpm
Vacuum water lift	65 in / 1,650 mm
PROPELLING SYSTEM	
Propel speed forward (transport variable to)	5.5 mph / 8.9 kph
Propel speed forward (scrubbing variable to)	4 mph / 6.4 kph
Dual Force Gradeability - Working Transport	3 degrees/5% 9.7 degrees/17%
*sweep hopper must be lifted prior to going on a 5° ramp	
BATTERY SELECTIONS	
Standard battery	750 AH C6
Opt battery (opportunity charge capable)	840 AH C6
Opt battery (opportunity charge capable)	864 AH Lithium
MACHINE SPECIFICATIONS	
Length basic machine	85.5 in / 2,172 mm
Width, body	55 in / 1,397 mm
Width, including side scrub	61.75 in / 1,568 mm
Height (top of steering wheel)	58.12 in / 1,476 mm
With overhead guard	80 in / 2,032 mm
Weight empty (no battery)	
Minimum aisle turn	94.75 in / 2,407 mm
Ground Clearance	2.5 in / 64 mm
Width	55 in
w/optional side scrub brush	61.75
Height top of recovery tank	58.12
w/overhead guard	78 in

CE DECLARATION OF CONFORMITY

- D EG-Konformitätserklärung (entsprechend der EG-Richtlinie 2006/42/EG)
- GB EC Declaration of Conformity (according to Directive 2006/42/EC)
- F Declaration de conformité pour la CEE (conforme à la directive de la CEE 2006/42/CEE)
- I Dichiarazione CE di Conformità (ai sensi della direttiva CEE 2006/42)
- E CEE Declaración de Conformidad (según la normativa de la CEE 2006/42/CE)

PowerBoss Inc. erklären in alleiniger Verantwortung, daß das Produkt,
declare under our sole responsibility, that the product,
declaronos sous notre seule responsabilite que le produit,
Dichiara sotto la propria responsabilita che il prodotto,
declaramos bajo responsabilidad propia que el producto,
Machine Nautilus Electric Scrubber/Sweeper - SM45C-CE, SM45D-CE

D auf das sich diese Erklärung bezieht, den einschlägigen grundlegenden Sicherheits- und Gesundheitsanforderungen der EG-Richtlinie 2006/42/EG, sowie den Anforderungen gemäß 2014/30/EG entspricht. Zur sachgerechten Umsetzung der in den EG-Richtlinien genannten Sicherheits- und Gesundheitsanforderungen wurde(n) folgende Norm(en) und /oder technische Spezifikation(en) herangezogen:

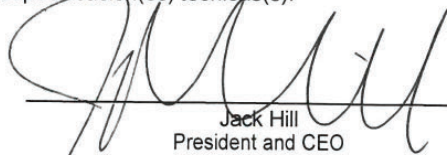
GB to which this declaration relates corresponds to the relevant basic safety and health requirements of the Directive 2006/42/EC, and to the requirements of the other relevant Directives 2014/30/EC. For the relevant implementation of the safety and health requirements mentioned in the Directives, the following standard(s) and/or technical specification(s) has (have) been respected:

F faisant l'objet de la declaration est conforme aux prescriptions fondamentales en matiere de securite et de sante stipulees dans la Directive de la CEE 2006/42/CEE, ainsi qu'aux prescriptions des autres Directives de la CEE etablies dans ce domaine 2014/30/CEE. Pour mettre en pratique dans les regles de l'art les prescriptions en matiere de securite et de sante stipulees dans les Directives de la CEE, il a ete tenu compte de la/des norme(s) et/ou de la/des specification(s) technique(s) suivante(s):

I e conforme ai requisiti essenziali di sicurezza e di tutela della salute di cui alla Direttiva CEE 2006/42 e sue successive modifiche, nonche ai requisiti di cui alle seguenti Direttive CEE 2014/30. Per la verifica della Conformità di cui alle Direttive sopra menzionate, sono state consultate le seguenti, Norme Armonizzate EN:

E al cual se refiere la presente declaración corresponde a las exigencias basicas de la normativa de la CEE 2006/42/CE y referentes a la seguridad y a la sanidad, asi como a las exigencias de la demas normativas de la CEE 2014/30/CE. Con el fin de realizar de forma adecuada las exigencias referentes a la seguridad y a la sanidad mencionadas en las normativas de la CEE fue(ron) consultada(s) la(s) siguiente(s) normativa(s) y especificación(es) tecnicas(s):

Date 23 September 2020



Jack Hill
President and CEO

Name der autorisierten Person, die für PowerBoss die technischen Unterlagen zusammenstellt:

Name of the person authorized for PowerBoss to compile the technical file:

Personne chargée du suivi du dossier technique:

Nome della persona autorizzata da PowerBoss a compilare il file tecnico:

Nombre de la persona autorizada por PowerBoss para la creación del fichero tecnico: Sebastien Filippone

D, GB, F, I, E

TABLE OF CONTENTS

PREFACE..... 2

TECHNICAL SPECIFICATIONS..... 4

CE DECLARATION OF CONFORMITY 5

PARTS BREAKDOWN 8

 REAR SQUEEGEE GROUP (714706) 8

 REAR BUMPER GROUP (714707) 10

 BUMPER LIFT GROUP (714708)..... 12

 BRAKE GROUP (714710) 14

 SQUEEGEE LIFT GROUP (714712)..... 16

 SQUEEGEE LINKAGE GROUP (714713)..... 18

 VACUUM MOTOR GROUP (714733) 20

 BATTERY DOOR GROUP (714734) 22

 BATTERY COVER GROUP (714735)..... 24

 VACUUM DOOR GROUP (714736)..... 26

 RECOVERY TANK GROUP (714737)..... 28

 SOLUTION TANK GROUP (714738)..... 30

 SEAT MOUNT GROUP (714740) 32

 TANK DRAIN HOSE GROUP (714747) 34

 DEMISTER GROUP (714749)..... 36

 REAR WHEEL GROUP (714757)..... 38

 REAR STEP GROUP (714758)..... 40

 CONTROL PEDAL GROUP (714761)..... 42

 CYLINDRICAL SCRUB HEAD GROUP (714700) 44

 CYLINDRICAL SCRUB HEAD LIFT GROUP (714701) 46

 SCRUB BRUSH DRIVE GROUP (714702) 48

 CYLINDRICAL SCRUB BRUSH IDLER GROUP (714703) 50

 SIDE SQUEEGEE GROUP - RH (714704) 52

 SIDE SQUEEGEE GROUP - LH (714705)..... 54

 DRIVE WHEEL GROUP - CYLINDRICAL (714709) 56

 STEERING GROUP, MANUAL (714711) 60

 FRONT COVER GROUP (714739) 62

 SOLUTION CONTROL GROUP, CYLINDRICAL (714742) 64

 CONSOLE GROUP, CYLINDRICAL (714748) 66

 FRAME GROUP, CYLINDRICAL (714750) 68

 INSTRUMENT PANEL GROUP, CYLINDRICAL (714751)..... 70

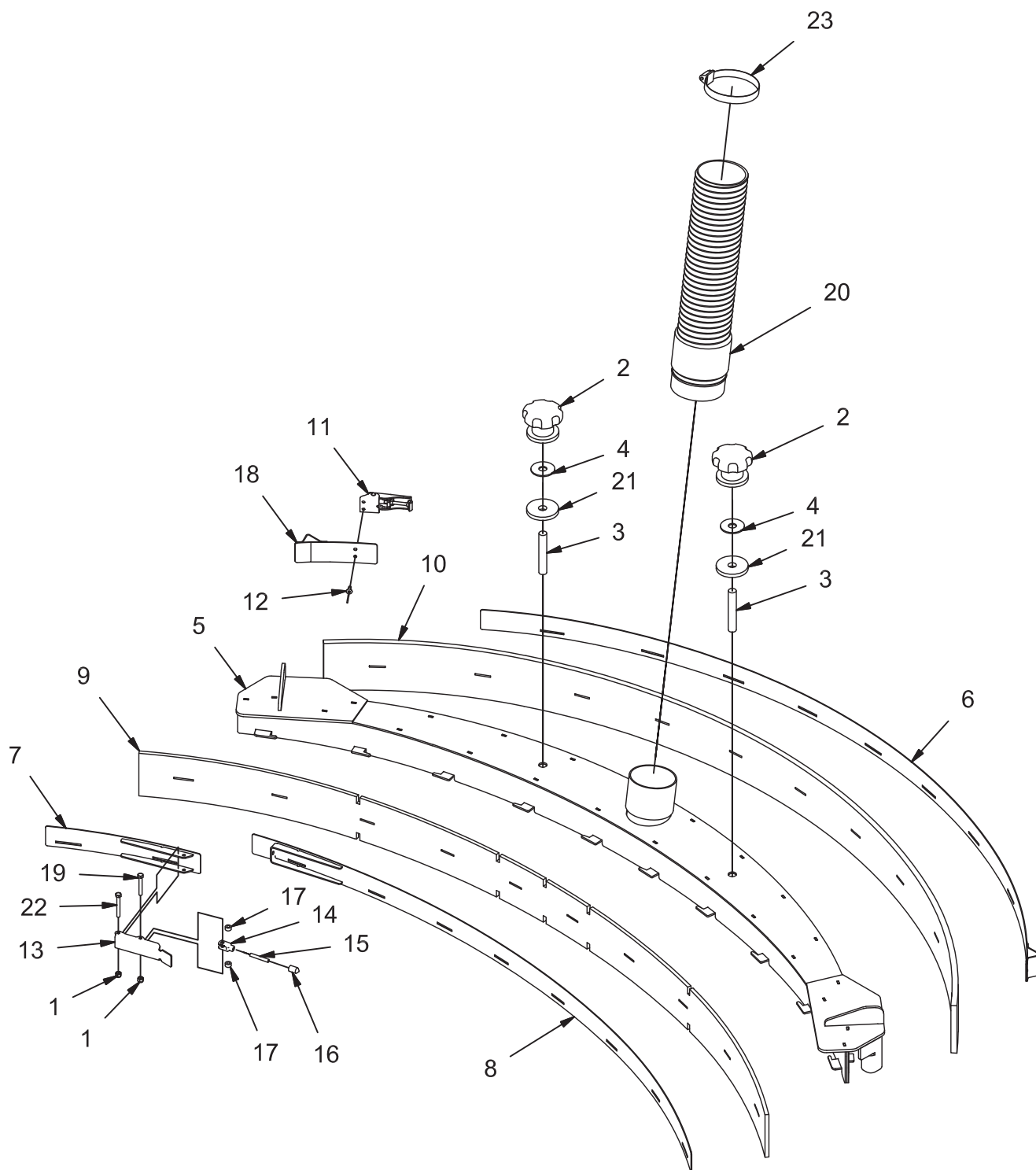
 ELECTRICAL BOX GROUP, CYLINDRICAL (719168)..... 72

MAIN CYLINDRICAL BRUSHES 75

 OPTIONAL SIDE BRUSH 75

BATTERIES AND CHARGERS	75
OPTIONS - PARTS BREAKDOWN	76
OPTION - SIDE SCRUB GROUP, CYLINDRICAL (718365)	76
SIDE SCRUB AND SQUEEGEE GROUP (714729)	76
SIDE SCRUB LIFT GROUP, CYLINDRICAL (714730)	78
SIDE SCRUB SHIFT GROUP (714731)	80
SIDE SCRUB SOLUTION CONT GROUP - CYL (714744)	82
SIDE SCRUB GUARD GROUP - CYLINDRICAL (714769)	84
OPTION - OVERHEAD GUARD GROUP (714301)	86
OPTION - COUNTERWEIGHT GROUP (714746)	88
OPTION - DUAL HOPPER VAC MOTOR GROUP (714756)	90
OPTION - BATTERY ROLL OUT GROUP (714767)	92
OPTION - PRESSURE WASHER - PART ONE (719504)	94
OPTION - PRESSURE WASHER - PART TWO (719504)	96
OPTION - VACUUM WAND (719517)	98
OPTION - POWER STEERING, CYLINDRICAL (719518)	100
OPTION - OVERHEAD GUARD GROUP, CYLINDRICAL (719525)	102
OPTION - REAR SQUEEGEE GUARD GROUP (719545)	104
OPTION - SIDE BROOM GROUP - CYLINDRICAL (719559)	106
OPTION - PRIMOTHANE SQUEEGEE BLADES GROUP (718415)	109
OPTION - PROTECTIVE RAIL BUMPERS (719528)	109
ELECTRICAL SCHEMATICS	110
CYLINDRICAL ELECTRICAL SCHEMATIC LAYOUT	110

PARTS BREAKDOWN REAR SQUEEGEE GROUP (714706)

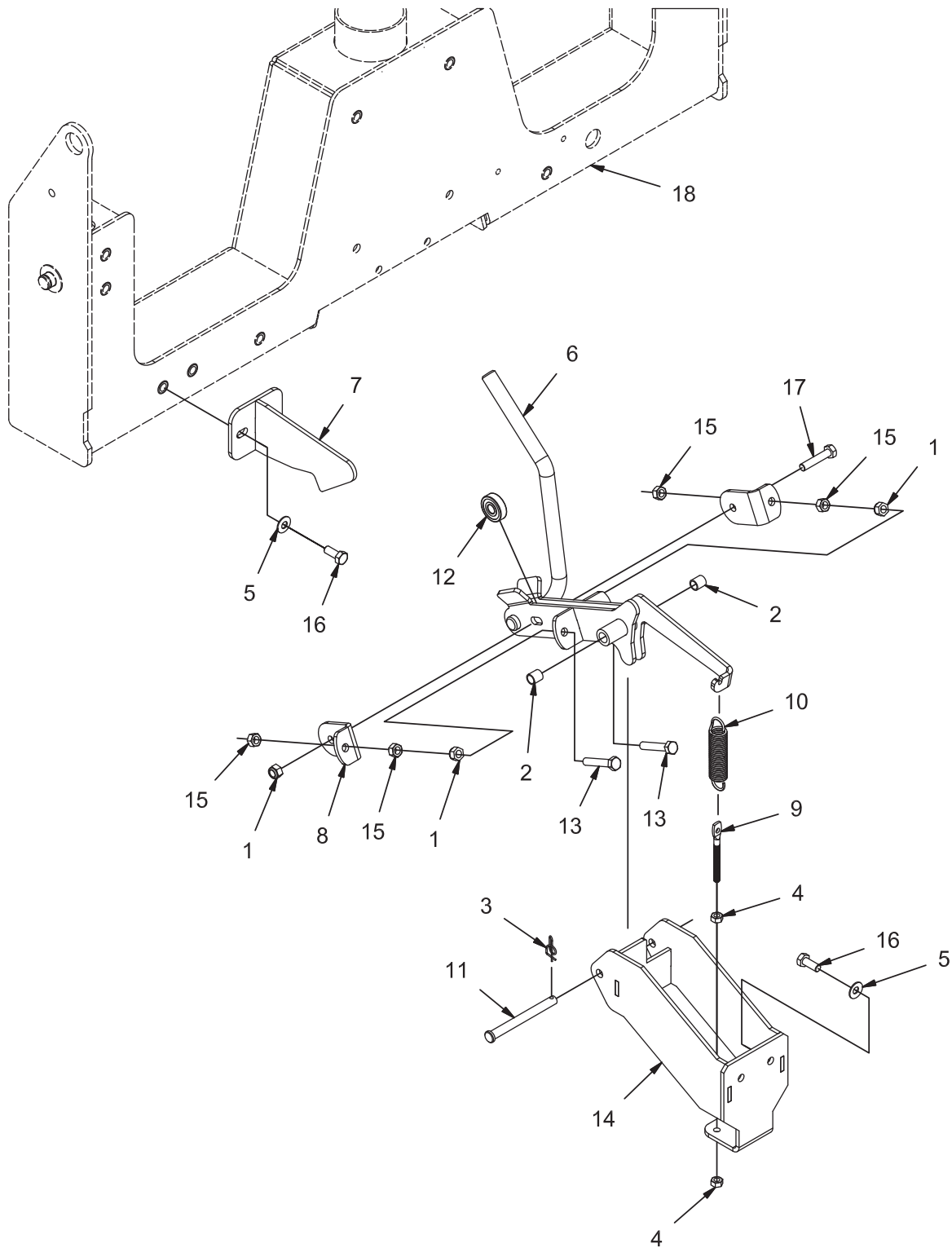


REV D

REAR SQUEEGEE GROUP (714706)

Parts List - 714706			
ITEM	PART NO.	QTY	DESCRIPTION
1	12040283	2	NUT-NYLOC M5 X 0.8 304SS DIN985
2	3343814	2	KNOB-HAND 1800 REAR SQUEEGEE ASSY
3	3343903	2	STUD-1/2-13, KNOB ASSEMBLY, 1800/CORE 50
4	3400091	2	WASHER-FENDER 1/2 X 2.00 ZP
5	714532	1	WELDMENT, SQUEEGEE
6	714533	1	WELDMENT, REAR RETAINER
7	714534	1	WELDMENT, FRONT RETAINER, SHORT
8	714535	1	WELDMENT, FRONT RETAINER
9	714684	1	SQUEEGEE BLADE, FRONT LINARD
10	714685	1	SQUEEGEE BLADE, REAR LINATEX
11	730652	1	LATCH, UNDER CENTER
12	730654	2	RIVET-BLIND 5/32 .125 GRIP SS
13	730780	1	LATCH, BODY SS
14	730781	1	CLEVIS, M5 - 0.8
15	730782	1	ROD, M5 - 0.8
16	730783	1	ROD, NOSE
17	730784	2	SPACER, .203 B .375 OD .210 T
18	730796	1	WELDMENT, REAR RETAINER, SHORT SS
19	730802	1	SCR-HH M5-0.8 X 35 SS FULL THREAD
20	730985	1	ASSEMBLY, SQUEEGEE HOSE
21	730992	2	WASHER-RUBBER .53 ID x 2.00 OD x .25 THK
22	731130	1	SCR-HH M5-0.8 X 40-SS
23	731144	1	CLAMP - SCREW 2.25 to 3.25 DIA 201SS

REAR BUMPER GROUP (714707)

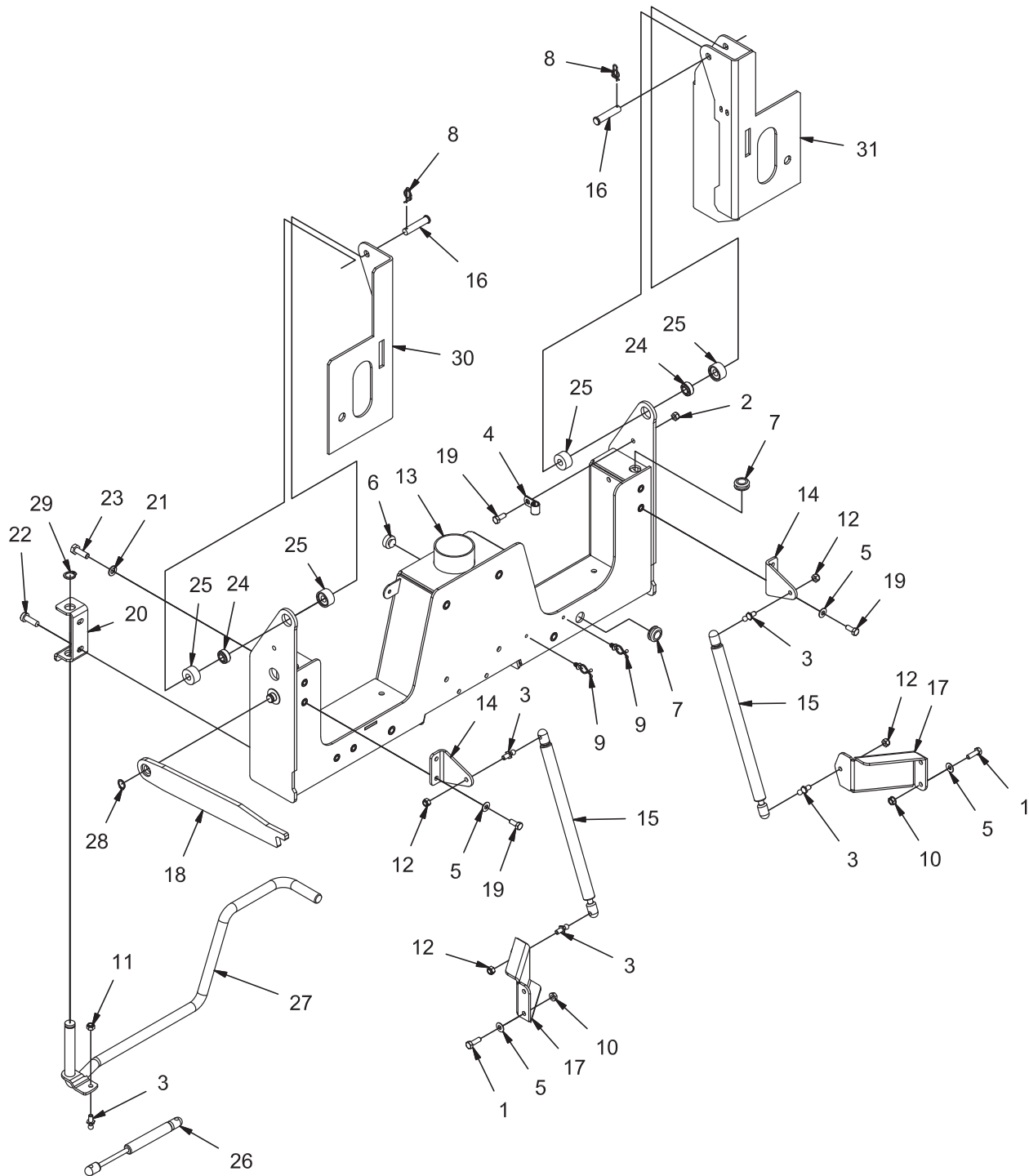


REV A

REAR BUMPER GROUP (714707)

Parts List - 714707			
ITEM	PART NO.	QTY	DESCRIPTION
1	12040259	3	NUT-NYLOC M8 X 1.25 SS
2	245295	2	BEARING, FIBERGLIDE .375 ID .500 T
3	3400125	1	RING-RUE 3/8
4	712665	2	NUT-HEX 1/4-20 SS
5	3400384	4	WASHER-CONICAL SPRING 5/16
6	714536	1	WELDMENT, BUMPER LATCH
7	714537	1	WELDMENT, STRIKER
8	714539	2	ADJUSTER, LATCH
9	714541	1	SCREW HANGER
10	731183	1	SPRING, EXT, .09 W .75 OD 3.50 L SS
11	383162	1	PIN-CLEVIS 3/8 X 3-3/4 ZINC
12	714547	1	BEARING, BALL, 200PP
13	714548	2	SCR-HH M8-1.25 X 45 FULL THRD SS
14	714613	1	WELDMENT, LATCH MNT
15	717029	4	NUT-HEX M8 X 1.25 SS
16	717030	4	SCR-HH M8-1.25 X 20 SS
17	717037	1	SCR-HH M8-1.25 X 40 SS
18	REFERENCE	1	REAR BUMPER

BUMPER LIFT GROUP (714708)

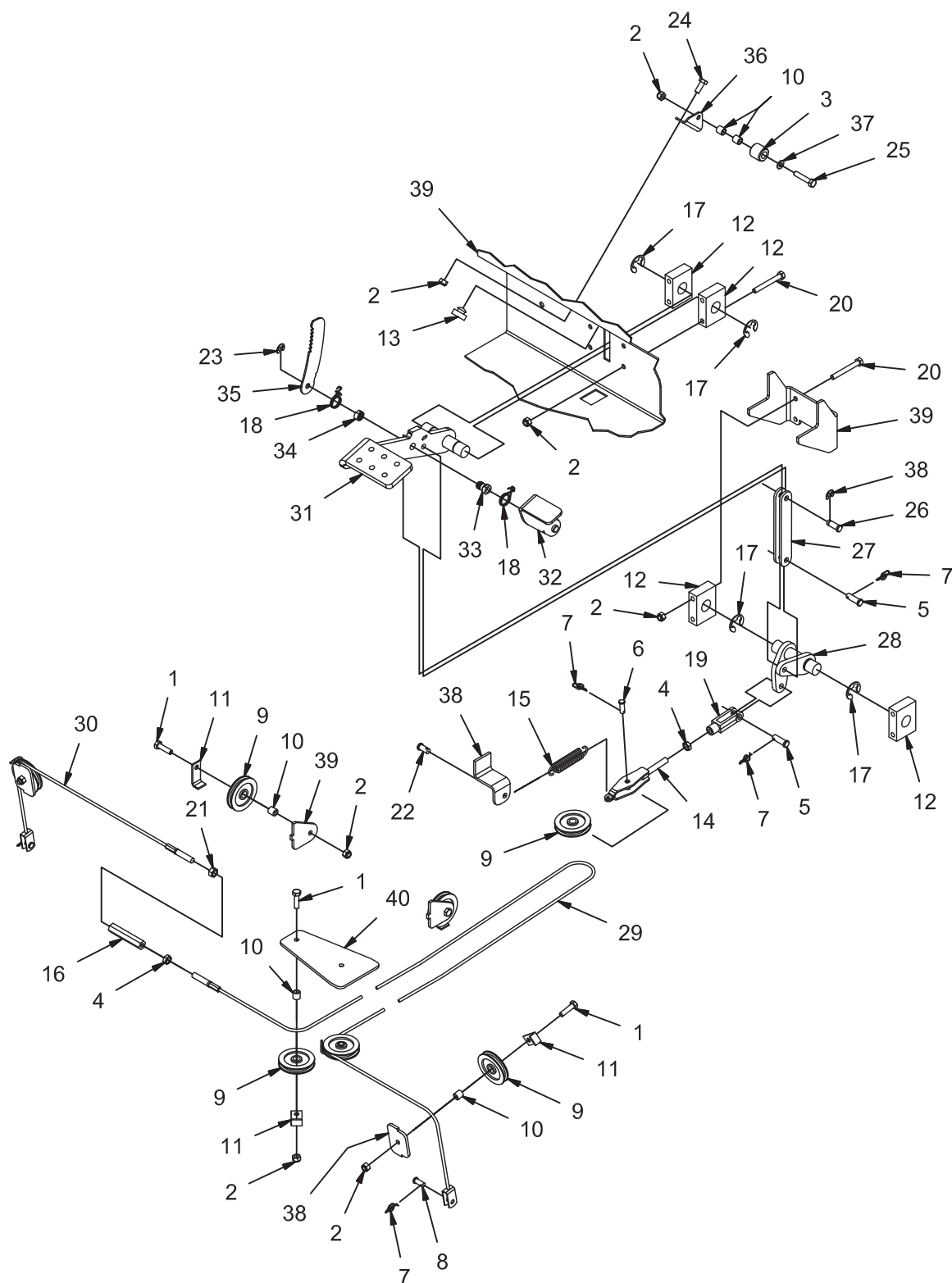


REV D

BUMPER LIFT GROUP (714708)

Parts List - 714708			
ITEM	PART NO.	QTY	DESCRIPTION
1	11039567	4	SCR-HH M8-1.25 X 25 SS
2	12040259	1	NUT-NYLOC M8 X 1.25 SS
3	3300376	6	STUD-BALL GAS SPR 5/16-18 THRD .391DIA.
4	3301158	1	CLAMP - WIRE & TUBE .687 DIA STEEL
5	3400384	8	WASHER-CONICAL SPRING 5/16
6	600117	1	BUMPER, 1.0 OD, .50 GROMMET, RUBBER
7	600151	2	GROMMET, .63 ID .88 OD .25 T
8	600578	2	RING-RUE .50 ZP
9	600581	2	CLAMP WIRE CLIP, PURSE-LOCK .60
10	600934	4	NUT-FLANGE WIZZ M8-1.25 ZP
11	711374	2	NUT-NYLOC 5/16-18 ZP
12	712683	4	NUT-NYLOC 5/16-18 SS
13	714538-1	1	ASSY, REAR BUMPER
14	714545	2	MOUNT, GAS STRUT
15	714605	2	GAS STRUT
16	714606	2	PIN, CLEVIS, 1/2 X 2.25 SS
17	714607	2	MOUNT, GAS STRUT
18	714608	1	SAFETY ARM
19	717030	5	SCR-HH M8-1.25 X 20 SS
20	718380	1	WELDMENT, BUMPER, LEVER PIVOT
21	730344	4	WASHER-FLAT M10 SS
22	730872	2	SCR-SHCS M10-1.50 X 30 SS LOW HEAD
23	730878	4	SCR-HH M10-1.50 X 30 SS
24	730882	2	BEARING, SPHERICAL
25	730883	4	SPACER, BUMPER
26	730902	1	GAS STRUT, 8.77 EXT X 3.00 STK, 200N
27	731205	1	WELDMENT, BUMPER LEVER
28	731210	1	RETAINING RING, EXT, HD .625
29	731212	1	RET RING-EXT .750 HD
30	REFERENCE	1	FRAME
31	REFERENCE	1	FRAME

BRAKE GROUP (714710)

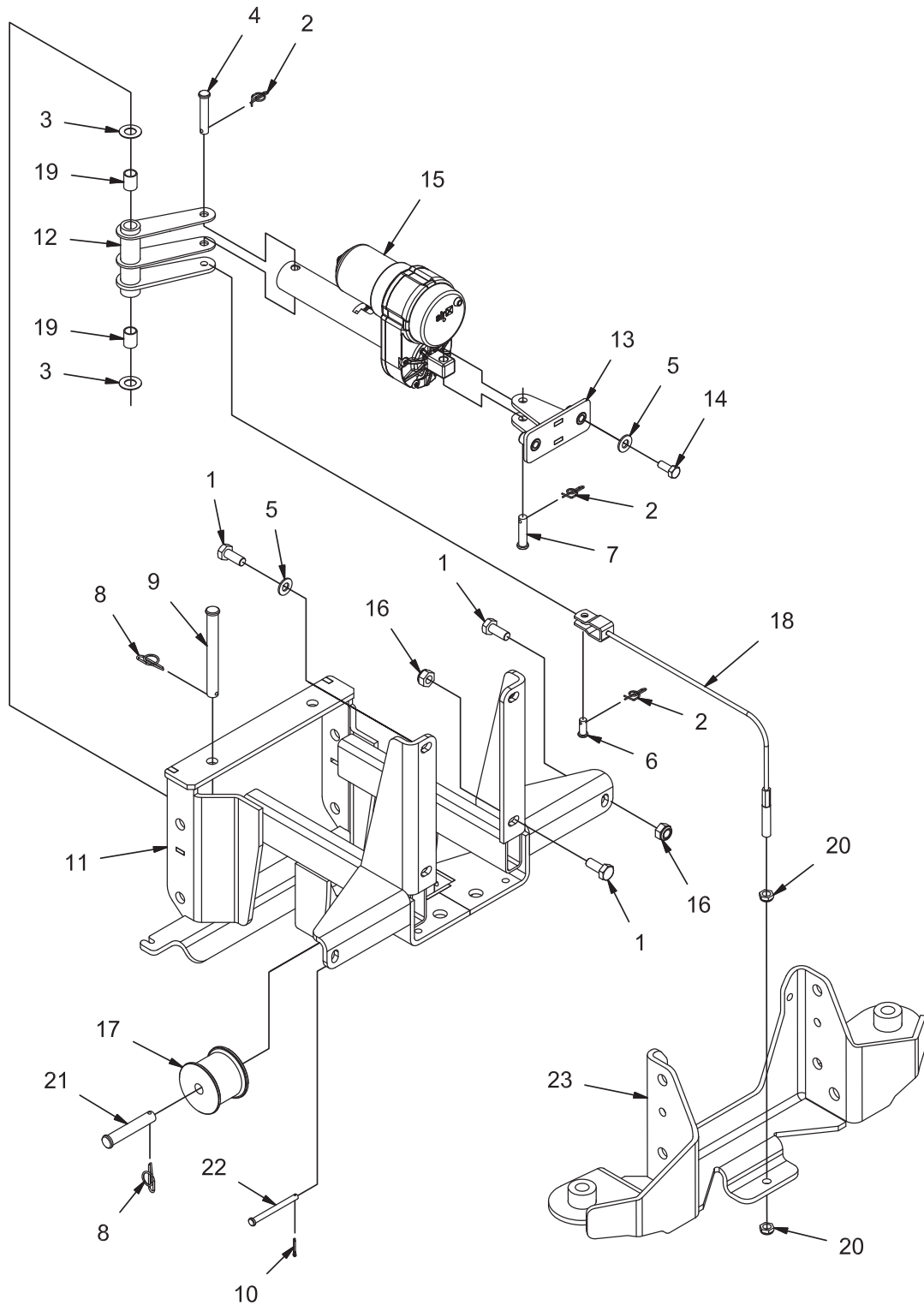


REV B

BRAKE GROUP (714710)

Parts List - 714710			
ITEM	PART NO.	QTY	DESCRIPTION
1	11038254	6	SCR-HH M8-1.25 X 30 ZP CLASS 8.8
2	12040051	17	NUT-NYLOC M8 X 1.25 ZP CLASS 8
3	245405	1	ROLLER, .516 ID, 1.00 OD X .95
4	3400075	2	NUT-JAM 3/8-24 ZP
5	3400117	2	PIN-CLEVIS 3/8 x 1.125 ZP
6	3400118	1	PIN-CLEVIS 5/16 X .875 ZP
7	3400125	5	RING-RUE 3/8
8	450034	2	PIN-CLEVIS 5/16 X .75 ZP
9	600113	7	PULLEY, .50 B 2.00 D .44T
10	600114	8	SPACER, .328 B .498 OD .500 ,SS
11	600115	6	RETAINER, CABLE, ZP
12	600116	4	BLOCK, BRAKE PIVOT
13	600117	1	BUMPER
14	600121	1	WELDMENT, CLEVIS, BRAKE PULLEY
15	600127	1	SPRING-EXT 3.5L
16	600338	1	TURNBUCKLE 0.375
17	600570	4	E RING .88
18	600809	2	SPRING TORSION
19	600813	1	CLEVIS 3/8-24
20	600921	8	SCR-HH M8-1.25 X 65 ZP CLASS 8.8
21	600938	1	NUT-JAM 3/8-24 ZP GR 5 LEFT HAND THREAD
22	711679	1	PIN-CLEVIS 3/8 X .750 ZP
23	711717	1	RET RING-E EXT .37
24	717024	2	SCR-HH M8-1.25 X 20 ZP GRADE 8.8
25	717037	1	SCR-HH M8-1.25 X 40 SS
26	718155	1	PIN, CLEVIS, .375 X 1.00
27	718161	2	LINK
28	718162	1	WELDMENT, BELLCRANK
29	718163	1	CABLE, BRAKE, RH
30	718164	1	CABLE, BRAKE, LH
31	718327	1	WELDMENT, BRAKE PEDAL
32	718328	1	WELDMENT, PARKING BRAKE PEDAL
33	718331	1	BUSHING, PARKING BRAKE
34	718332	1	NUT, PARKING BRAKE
35	718333	1	BRAKE RATCHET
36	718334	1	BRACKET, BRAKE ROLLER
37	730609	1	WASHER-FLAT M8 SS
38	PART OF 718155	1	E-RING, .375
39	REFERENCE	1	CONSOLE
40	REFERENCE	1	FRAME

SQUEEGEE LIFT GROUP (714712)



REV D

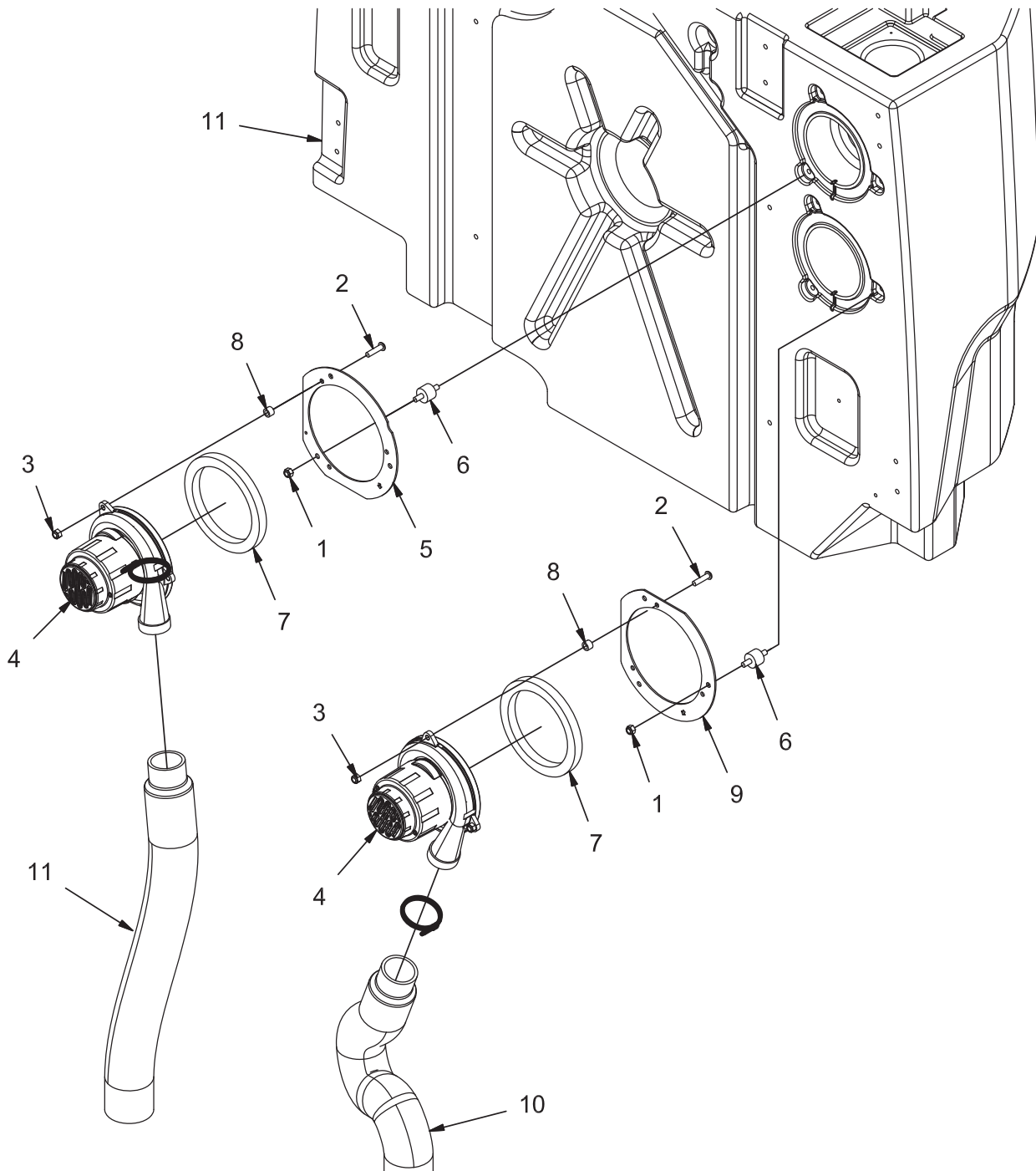
SQUEEGEE LIFT GROUP (714712)

Parts List - 714712			
ITEM	PART NO.	QTY	DESCRIPTION
1	11039328	6	SCR-HH M10-1.50 X 25 SS DIN 933
2	3400125	3	RING-RUE 3/8
3	3400178	2	BEARING-THRUST .531 ID X 1.00 OD
4	3400266	1	PIN-CLEVIS 3/8 X 2.00 ZP
5	3400385	4	WASHER-CONICAL SPRING 3/8
6	450034	1	PIN-CLEVIS 5/16 X .75 ZP
7	600573	1	PIN-CLEVIS 3/8 X 1.50 ZP
8	600578	2	RING-RUE .50 ZP
9	620027	1	PIN-CLEVIS 1/2 X 4.50 ZP
10	620143	1	PIN-COTTER 5/64 X .500 ZP
11	714582	1	WELDMENT, SQUEEGEE LIFT
12	714583	1	WELDMENT, SQU LIFT ARM
13	714584-1	1	ASSY, SQU ACT MNT
14	717030	2	SCR-HH M8-1.25 X 20 SS
15	718205-1	1	ACTUATOR ASSY, SQUEEGEE & HOPPER
16	730339	4	NUT-NYLOC M10-1.50 SS
17	730745	1	PULLEY
18	730746	1	CABLE ASSEMBLY
19	730752	2	FIBERGLIDE BEARING, .50 ID, .375 T
20	730757	2	NUT-JAM 3/8-24 SS NYLOC
21	730760	1	PIN-CLEVIS 1/2 X 2.75 ZP
22	730761	1	PIN-CLEVIS 1/4 X 2.75 ZP
23	REFERENCE	1	SQUEEGEE BRACKET

SQUEEGEE LINKAGE GROUP (714713)

Parts List - 714713			
ITEM	PART NO.	QTY	DESCRIPTION
1	12040259	2	NUT-NYLOC M8 X 1.25 SS
2	16046054	4	JOINT-BALL RH M14X1.5
3	16046062	4	JOINT-BALL LH M14X1.5
4	3343816	2	CASTER-5/8-11 X 2.625
5	3343819	2	KNOB-HAND ALUMINUM
6	3400087	1	WASHER-FLAT 3/8 ZP
7	3400340	2	NUT-NYLOC 3/8-16 SS
8	3400414	8	WASHER-LOCK 9/16 SPLIT ZP
9	3401030	1	NUT-3/8-16 ACORN SS
10	3401543	2	WASHER-EXT 1/2 ZP RIP STYLE
11	600220	2	BUMPER 1.00X0.625T
12	600525	2	SPACER 1.25B 1.50OD 0.455T
13	712680	2	NUT-HEX 5/16-18 SS
14	714549	1	WELDMENT, SQUEEGEE MNT
15	714587	1	SCR-SET, 1/4-28 X .375 NYLON TIP SS
16	714588	1	ROD, PITCH ADJ
17	714589	1	SPACER, FLANGED
18	714590	1	BAR, PITCH
19	730339	2	NUT-NYLOC M10-1.50 SS
20	730344	2	WASHER-FLAT M10 SS
21	730345	2	SCR-HH M10-1.50 X 35 SS
22	730527	2	WASHER-LOCK M8 SS
23	730609	2	WASHER-FLAT M8 SS
24	730662	4	ROD, SQUEEGEE
25	730668	2	KEEPER, CASTER ADJUSTMENT
26	730674	1	WELDMENT, SQU BRACKET DG
27	730742	2	SPRING, EXT, .160 W 1.25 OD 10.25 L SS
28	730744	2	ROLLER, SQU
29	730750	2	BUSHING, BRONZE, .50 B .62 OD .31 T
30	730751	2	SPACER, .344 B .500 OD 1.06 T
31	730754	2	SCR-HH M8-1.25 X 45 SS
32	731176	4	NUT-HEX M14 - 1.5 SS
33	731213	1	SCR-HH 3/8-16 X 2.00 SS
34	770331	1	SPRING, 1.00 OD, .50 ROD, 2.00 L
35	PART OF ROD END	8	NUT, M14-1.50 HEX SS
36	REFERENCE	1	WELDMENT, SQUEEGEE LIFT

VACUUM MOTOR GROUP (714733)

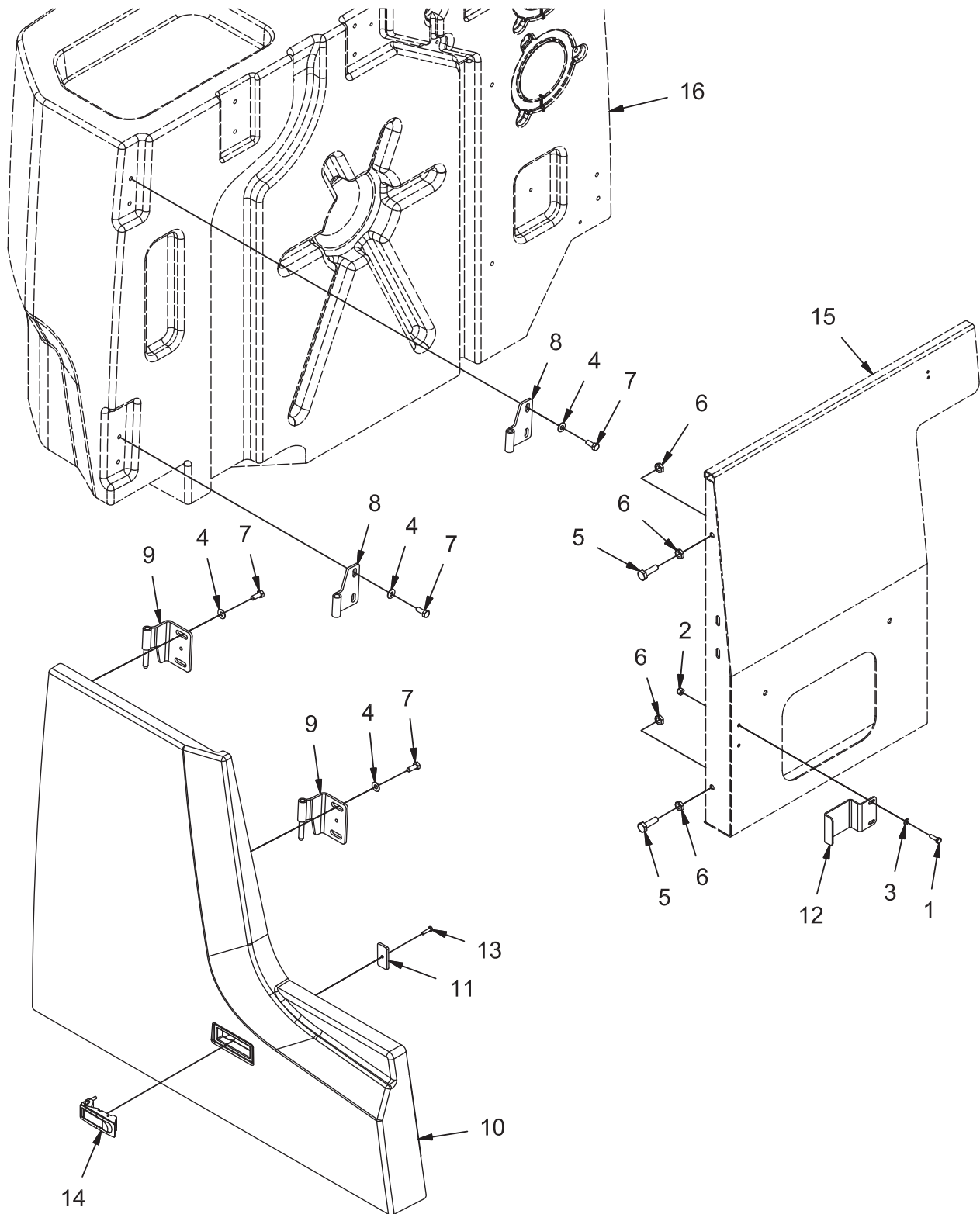


REV C

VACUUM MOTOR GROUP (714733)

Parts List - 714733			
ITEM	PART NO.	QTY	DESCRIPTION
1	12040259	6	NUT-NYLOC M8 X 1.25 SS
2	3401440	6	SCR-BHSCS 5/16-18 X 1.25 ZP
3	712683	6	NUT-NYLOC 5/16-18 SS
4	718098	2	MOTOR, VACUUM, 6.6 D 36 VDC 1-STAGE
5	718102	1	MOUNT, UPPER VAC MOTOR
6	718103	6	ISOLATOR, VAC MOTOR
7	718104	2	SEAL, VAC MOTOR
8	718105	6	SPACER, VAC MOTOR
9	718106	1	MOUNT, LOWER VAC MOTOR
10	90519737	2	MUFFLER, VAC MOTOR
11	REFERENCE	1	RECOVERY TANK

BATTERY DOOR GROUP (714734)

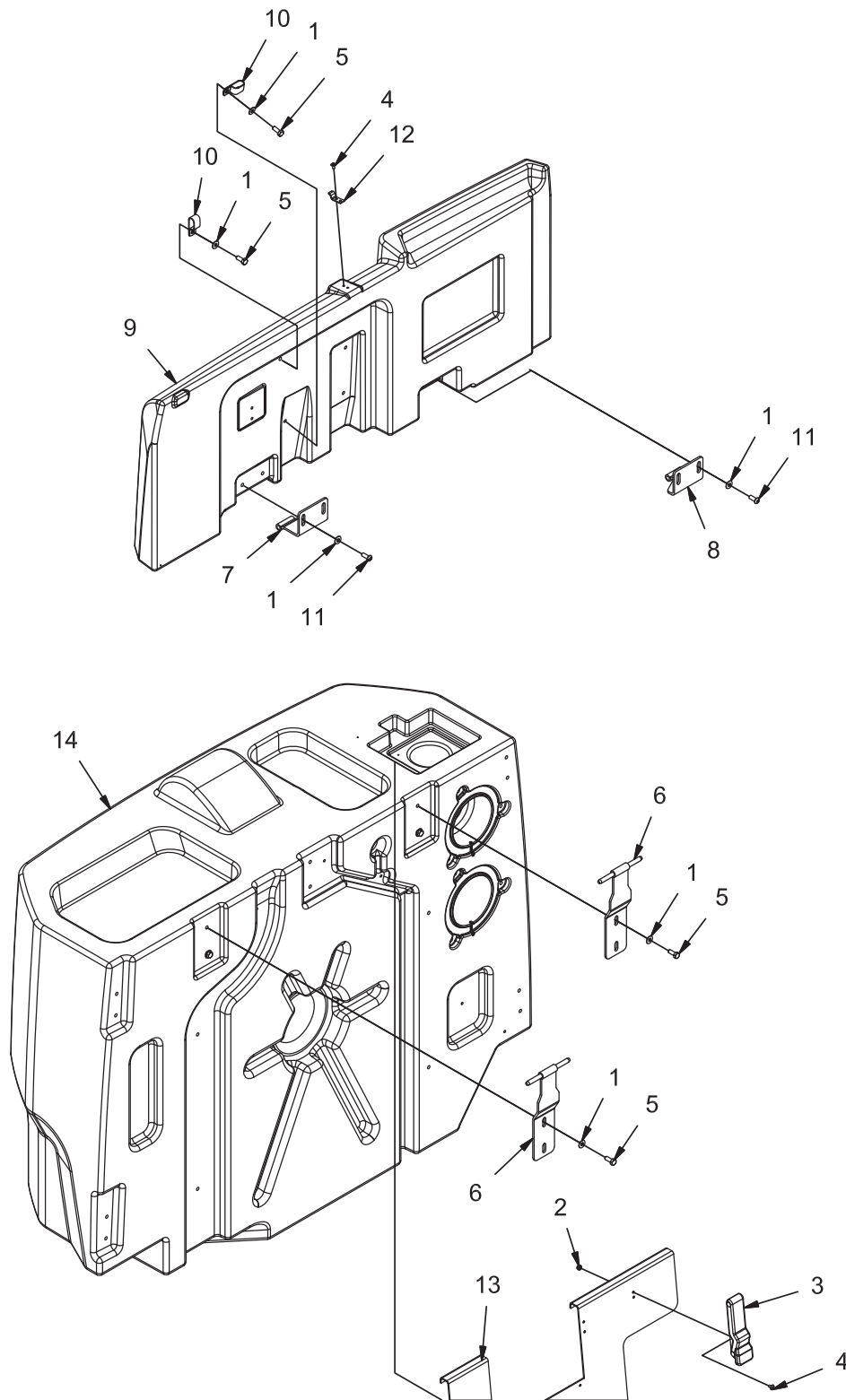


REV A

BATTERY DOOR GROUP (714734)

Parts List - 714734			
ITEM	PART NO.	QTY	DESCRIPTION
1	11038098	2	SCR-HH M6-1.0 X 20 ZP CLASS 8.8 DIN
2	12040044	2	NUT-NYLOC M6 X 1.0 ZP CLASS 6
3	12310033	2	WASHER-FLAT M6.4 X 12 X 1.6 ZP
4	3400384	8	WASHER-CONICAL SPRING 5/16
5	600924	2	SCR-HH M10-1.5 X 35 ZP CLASS 8.8
6	717014	4	NUT-HEX M10 X 1.5 ZP
7	717024	8	SCR-HH M8-1.25 X 20 ZP GRADE 8.8
8	718099	2	WELDMENT, RH HINGE, FEM
9	718100	2	WELDMENT, RH HINGE, MALE
10	718119-1	1	DOOR, BATTERY
11	718120	1	RETANER, LATCH
12	718121	1	STOP, ELECT DOOR
13	730884	1	SCR-HH M5-0.8 X 20 SS
14	731433	1	LATCH-LARGE-NAUTILUS
15	REFERENCE	1	SEAT BACK
16	REFERENCE	1	RECOVERY TANK

BATTERY COVER GROUP (714735)

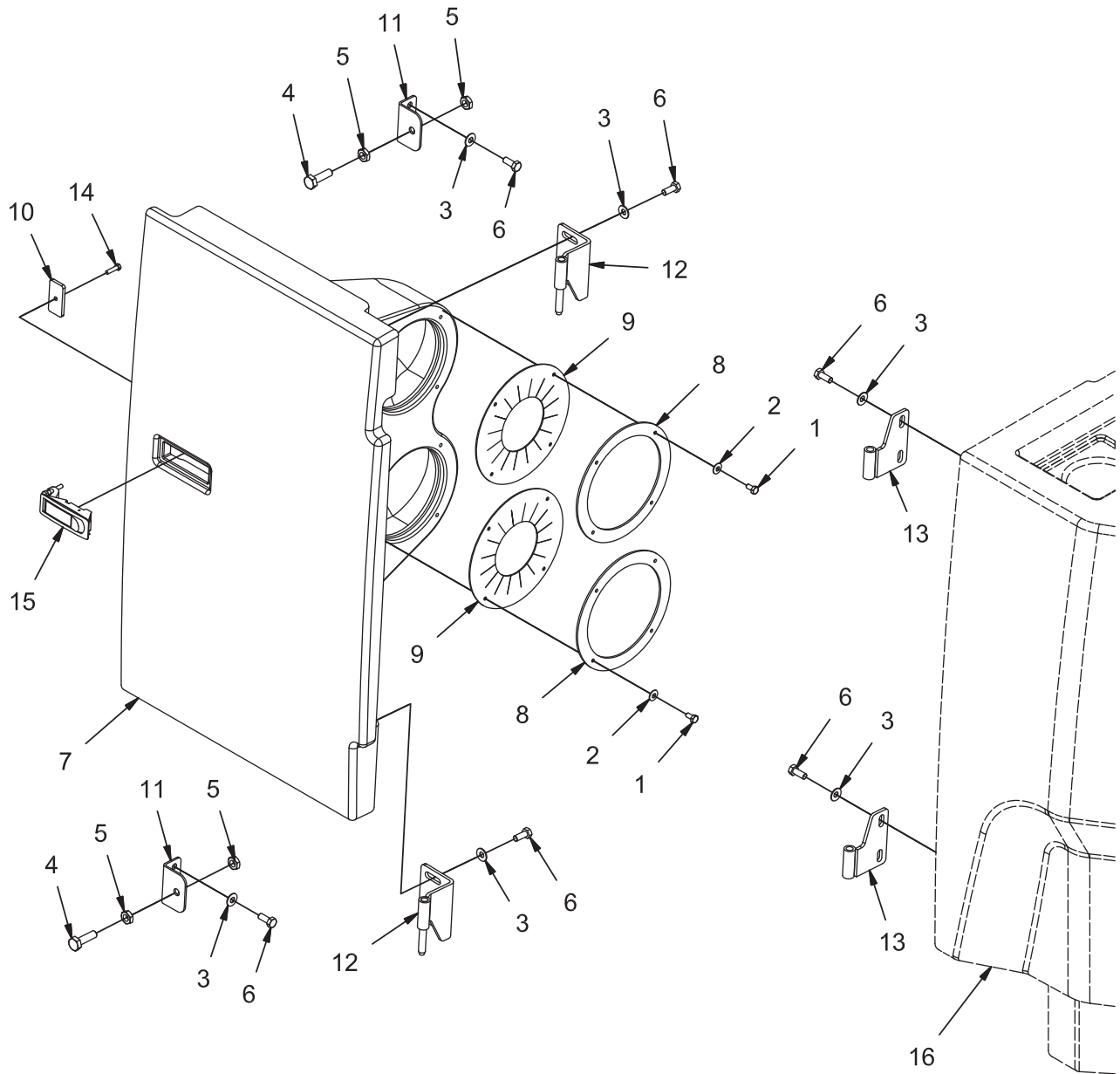


REV C

BATTERY COVER GROUP (714735)

Parts List - 714735			
ITEM	PART NO.	QTY	DESCRIPTION
1	3400384	10	WASHER-CONICAL SPRING 5/16
2	3400399	2	NUT-NYLOC 10-24 SS
3	340664	1	LATCH-SOFT W/KEEPER
4	712540	4	SCR-THMS 10-24 X .37 SS
5	717024	6	SCR-HH M8-1.25 X 20 ZP GRADE 8.8
6	718107	2	WELDMENT, DUAL HINGE
7	718108	1	WELDMENT, RH HINGE, FEM
8	718110	1	WELDMENT, LH HINGE, FEM
9	718118-1	1	BATTERY COVER
10	718212	2	CLAMP, DOUBLE
11	730905	4	SCR-BHSCS M8-1.25 X 20 SS
12	PART OF 718133	1	LATCH, KEEPER
13	REFERENCE	1	SEAT BACK
14	REFERENCE	1	RECOVERY TANK

VACUUM DOOR GROUP (714736)

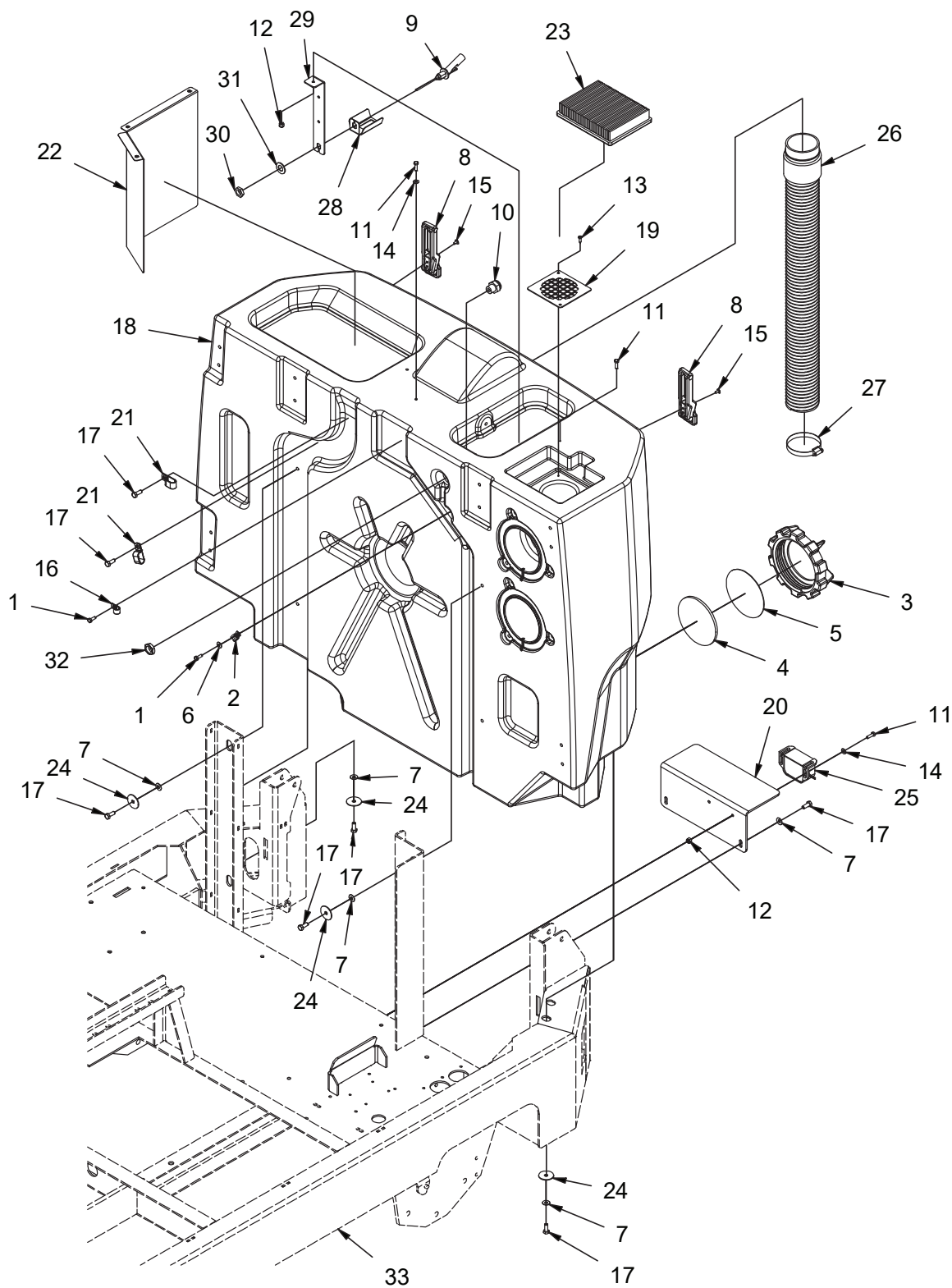


REV B

VACUUM DOOR GROUP (714736)

Parts List - 714736			
ITEM	PART NO.	QTY	DESCRIPTION
1	11038064	8	BLT-HH M6 X 1.0 X 12 STL ZD 8.8 DIN 933
2	3400383	8	WASHER-CONICAL SPRING 1/4
3	3400384	12	WASHER-CONICAL SPRING 5/16
4	600924	2	SCR-HH M10-1.5 X 35 ZP CLASS 8.8
5	717014	4	NUT-HEX M10 X 1.5 ZP
6	717024	12	SCR-HH M8-1.25 X 20 ZP GRADE 8.8
7	718114-1	1	VACUUM DOOR
8	718115	2	RING, RETAINER
9	718116	2	RING, SEAL
10	718120	1	RETANER, LATCH
11	718138	2	BRACKET, STOP
12	730405	2	WELDMENT, HINGE, MALE ZP
13	730407	2	WELDMENT, HINGE, FEMALE ZP
14	730884	1	SCR-HH M5-0.8 X 20 SS
15	731433	1	LATCH-LARGE-NAUTILUS
16	REFERENCE	1	RECOVERY TANK

RECOVERY TANK GROUP (714737)



REV G

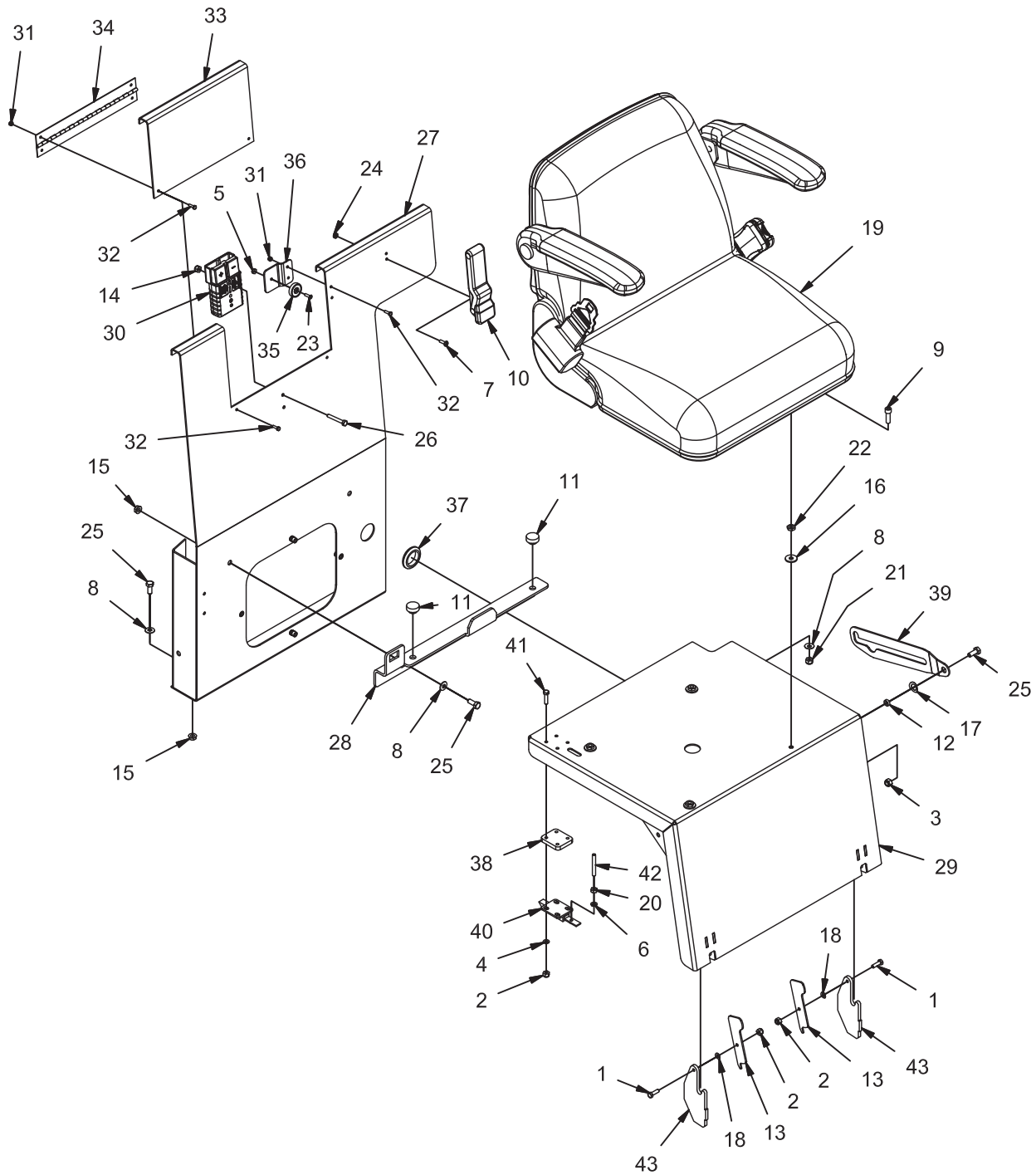
RECOVERY TANK GROUP (714737)

Parts List - 714737			
ITEM	PART NO.	QTY	DESCRIPTION
1	11038072	2	SCR-HH M6-1.0 X 16 ZP CLASS 8.8
2	172454	1	CLAMP-P 3/8ID, .28 HOLE STEEL INSULAT
3	3309006	1	CAP-TANK 6.00 DIA. BLACK
4	3309070	1	GASKET-6" PLASTIC CAP
5	3309099	1	PLT-BACKING FOR 6" CAP GASKET
6	3400383	1	WASHER-CONICAL SPRING 1/4
7	3400384	10	WASHER-CONICAL SPRING 5/16
8	340664	2	LATCH-SOFT W/KEEPER
9	500133-1	1	WIRE ASSY, SWITCH-FLOAT
10	600482	1	STRAIN RELIEF
11	600913	6	SCR-HH M6-1.00 X 20 SS
12	600933	3	NUT-NYLOC M6-1.00 SS
13	711118	2	SCR-PHSMS 10-12 X .75 SS A POINT
14	711504	5	WASHER-FLAT 1/4 SS
15	712540	4	SCR-THMS 10-24 X .37 SS
16	713527	1	CLAMP - WIRE & TUBE .500 DIA STEEL
17	717024	12	SCR-HH M8-1.25 X 20 ZP GRADE 8.8
18	718096-1	1	RECOVERY TANK
19	718208	1	SCREEN
20	718211	1	SUPPORT, TANK
21	718212	2	CLAMP, DOUBLE
22	718377	1	DEFLECTOR
23	719191	1	FILTER, AIR
24	719452	8	WASHER, 5/16 ID, 1.500 OD, .062 THK, SS
25	719513	1	Opt - Back Up Alarm, Nautilus E
26	730984	1	ASSEMBLY, SQUEEGEE HOSE
27	731144	1	CLAMP - SCREW 2.25 to 3.25 DIA 201SS
28	731415	1	GUARD, FLOAT
29	770458	1	REC TANK FLOAT SW MNT
30	PART OF 500133-1	1	NUT, PLASTIC
31	PART OF 500133-1	1	GASKET
32	PART OF 600482	1	NUT, PLASTIC
33	REFERENCE	1	FRAME

SOLUTION TANK GROUP (714738)

Parts List - 714738			
ITEM	PART NO.	QTY	DESCRIPTION
1	11177253	1	SC-BHCS W/ FLANGE M8 X 1.25 X 12 304SS
2	3300376	1	STUD-BALL GAS SPR 5/16-18 THRD .391DIA.
3	3302737-1	1	WIRE ASSY, SWITCH-LEVEL LS7
4	3400384	18	WASHER-CONICAL SPRING 5/16
5	500122	2	FTG-PLUG HEX 1/2
6	600924	1	SCR-HH M10-1.5 X 35 ZP CLASS 8.8
7	600934	7	NUT-FLANGE WIZZ M8-1.25 ZP
8	712540	2	SCR-THMS 10-24 X .37 SS
9	717014	2	NUT-HEX M10 X 1.5 ZP
10	717024	18	SCR-HH M8-1.25 X 20 ZP GRADE 8.8
11	718123-1	1	TANK, SOLUTION
12	718124	1	BRACKET
13	718132-1	1	COVER, SOLUTION
14	718135	1	STRIKER, VAC DOOR
15	718137	1	BRACKET, ANGLE
16	718138	1	BRACKET, STOP
17	718139	1	MOUNT, FRONT SOL TANK
18	718140	1	MOUNT, REAR SOL TANK
19	718145	1	SEAL, SOL COVER
20	730493	1	ROD, SOL COVER
21	730525	1	RETAINER, COVER
22	730526	1	WASHER-FENDER M8 X 24 SS
23	PART OF 718133	1	LATCH KEEPER

SEAT MOUNT GROUP (714740)

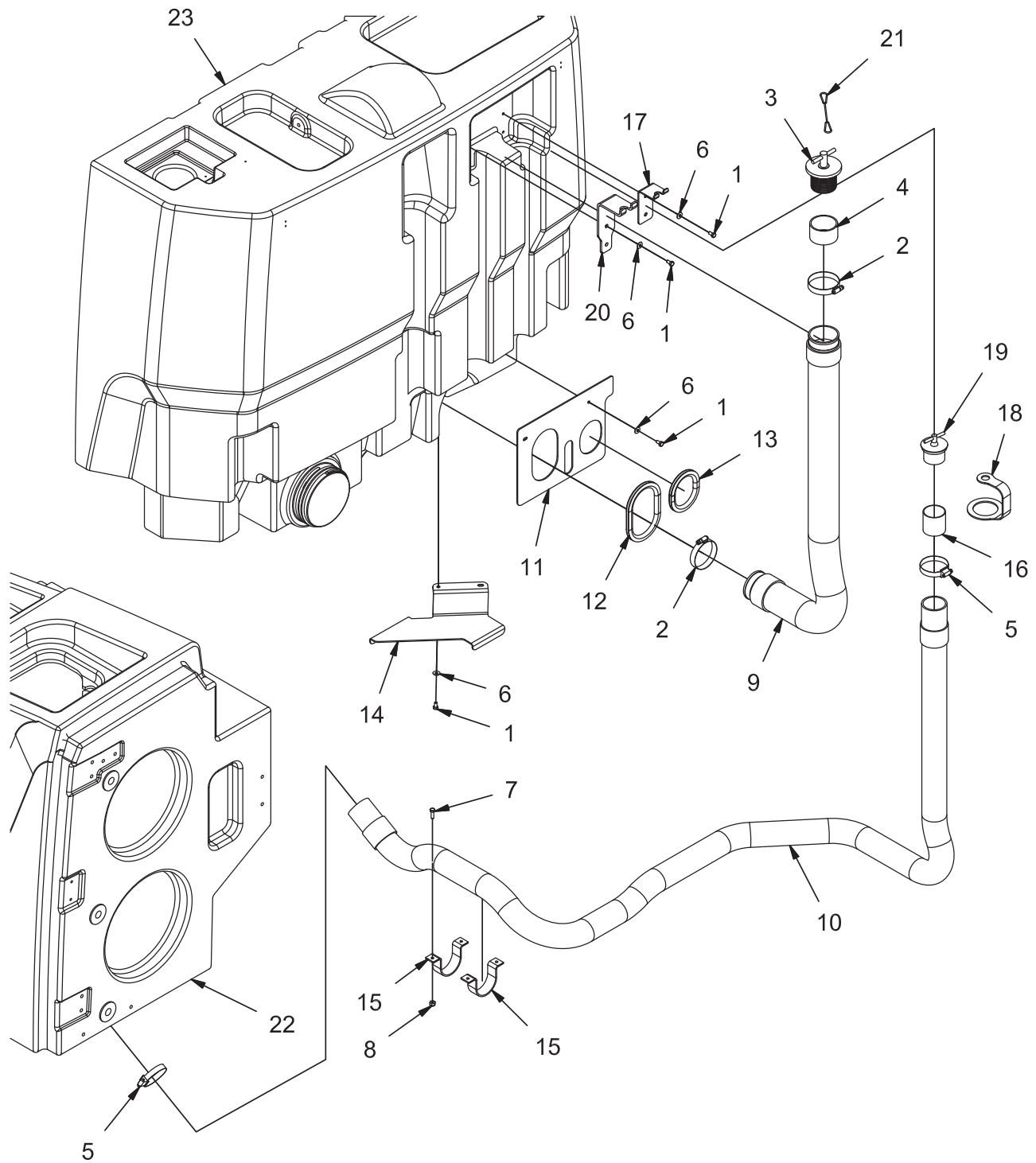


REV E

SEAT MOUNT GROUP (714740)

Parts List - 714740			
ITEM	PART NO.	QTY	DESCRIPTION
1	11038098	2	SCR-HH M6-1.0 X 20 ZP CLASS 8.8 DIN
2	12040044	6	NUT-NYLOC M6 X 1.0 ZP CLASS 6
3	12040051	1	NUT-NYLOC M8 X 1.25 ZP CLASS 8
4	12310033	4	WASHER-FLAT M6.4 X 12 X 1.6 ZP
5	3400082	1	NUT-NYLOC 8-32 ZP
6	3400103	1	WASHER-LOCK 1/4 SPLIT ZP
7	3400204	2	SCR-RHMS 10-32 X 0.625 ZP
8	3400384	8	WASHER-CONICAL SPRING 5/16
9	3400478	4	SCR-SHCS 5/16-18 X 1.0 ZP
10	340664	1	LATCH-SOFT W/KEEPER
11	600117	2	BUMPER
12	600138	1	SPACER, .328 B .500 OD .188T, SS
13	600194	2	LATCH COVER, ZP CLEAR
14	600933	2	NUT-NYLOC M6-1.00 SS
15	600934	4	NUT-FLANGE WIZZ M8-1.25 ZP
16	600940	4	WASHER, M8 FENDER
17	600948	1	WASHER-WAVE .500 ID X 1.00 OD X .040 THI
18	600963	2	WASHER-WAVE M6 DIN 137
19	623000	1	SEAT, STANDARD W/SEAT BELT, RH
20	711316	1	NUT-HEX 1/4-20 ZP
21	711374	4	NUT-NYLOC 5/16-18 ZP
22	711420	4	NUT-JAM 5/16-18 ZP
23	712007	1	SCR-FHMS 8-32 X .625 ZP
24	712636	2	NUT-HEX 10-32 SS
25	717024	5	SCR-HH M8-1.25 X 20 ZP GRADE 8.8
26	718009	2	SCR-HH M6-1.0 X 45 SS
27	718122-1	1	ASSEMBLY, BACK PANEL
28	718125	1	SUPPORT, SEAT MNT
29	718126	1	WELDMENT, SEAT MNT
30	718134	1	CONNECTOR, 350A, GRAY
31	718263	6	NUT-NYLOC M4-0.7 ZP
32	718267	6	SCR-HH M4-0.7 X 14 ZP
33	718391	1	PLATE, BATTERY DOOR
34	718392	1	HINGE, BATTERY DOOR
35	718393	1	MAGNET, 1.125 OD X .270 THK, 30LB
36	718394	1	PLATE, BATTERY DOOR MAGNET
37	719109	1	GROMMET 1.25ID .06GRV 1.50D HOLE RBR
38	730486	1	PLATE, SPACER ZP
39	730487	1	SUPPORT, SEAT MOUNT ZP CLR
40	730488	1	SLIDE LATCH
41	731006	4	SCR-HH M6-1.00 X 25 ZP CLASS 8.8
42	731163	1	ROD, LATCH
43	REFERENCE	1	FRAME

TANK DRAIN HOSE GROUP (714747)

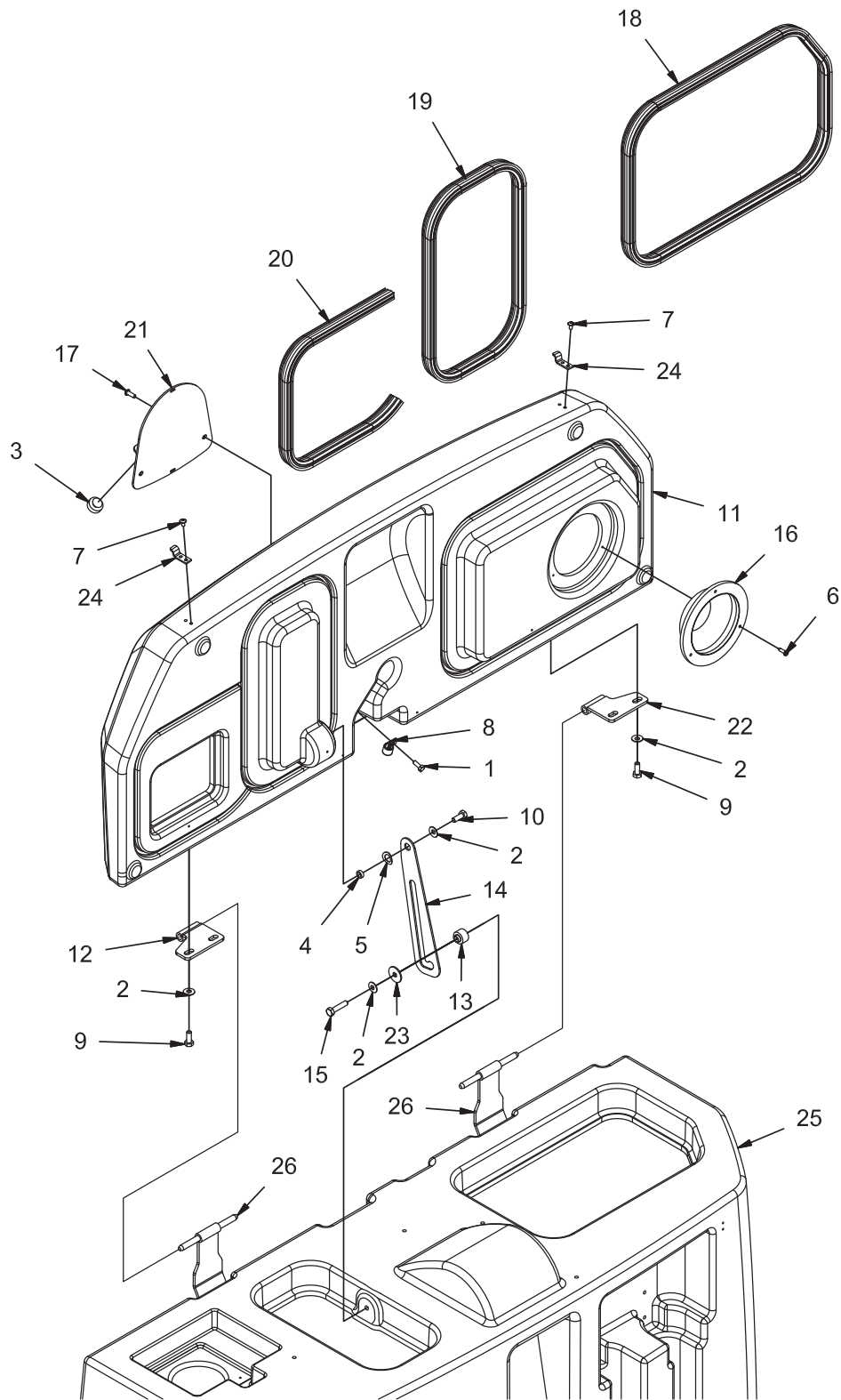


REV C

TANK DRAIN HOSE GROUP (714747)

Parts List - 714747			
ITEM	PART NO.	QTY	DESCRIPTION
1	11038064	8	BLT-HH M6 X 1.0 X 12 STL ZD 8.8 DIN 933
2	3300336	2	CLAMP - SCREW 2" to 3" DIA 201SS
3	3300451	1	PLUG-ADJ DRAIN HOSE CLOSURE
4	3300509	1	TUBE-WD TANK
5	3312189	2	CLAMP - SCREW 1.25" to 2.25" DIA 201SS
6	3400383	8	WASHER-CONICAL SPRING 1/4
7	600913	4	SCR-HH M6-1.00 X 20 SS
8	600933	4	NUT-NYLOC M6-1.00 SS
9	718189	1	ASSEMBLY, REC DRAIN HOSE
10	718190	1	ASSEMBLY, SOL DRAIN HOSE
11	718192	1	PLT, DRAIN HOSE
12	718193	1	EDGING, 3/6 X 15"
13	718194	1	EDGING, 3/6 X 10.5"
14	718195	1	SUPPORT, HOSE
15	718309	2	HANGER, 2.38
16	730518	1	TUBE, SS
17	730519	1	RETAINER, SOL HOSE ZP
18	730520	1	LANYARD, CAP
19	730531	1	PLUG, EXPANSION, 1.88
20	731528	1	RETAINER, RECOVERY HOSE
21	731539	1	LANYARD
22	REFERENCE	1	SOLUTION TANK
23	REFERENCE	1	RECOVERY TANK

DEMISTER GROUP (714749)

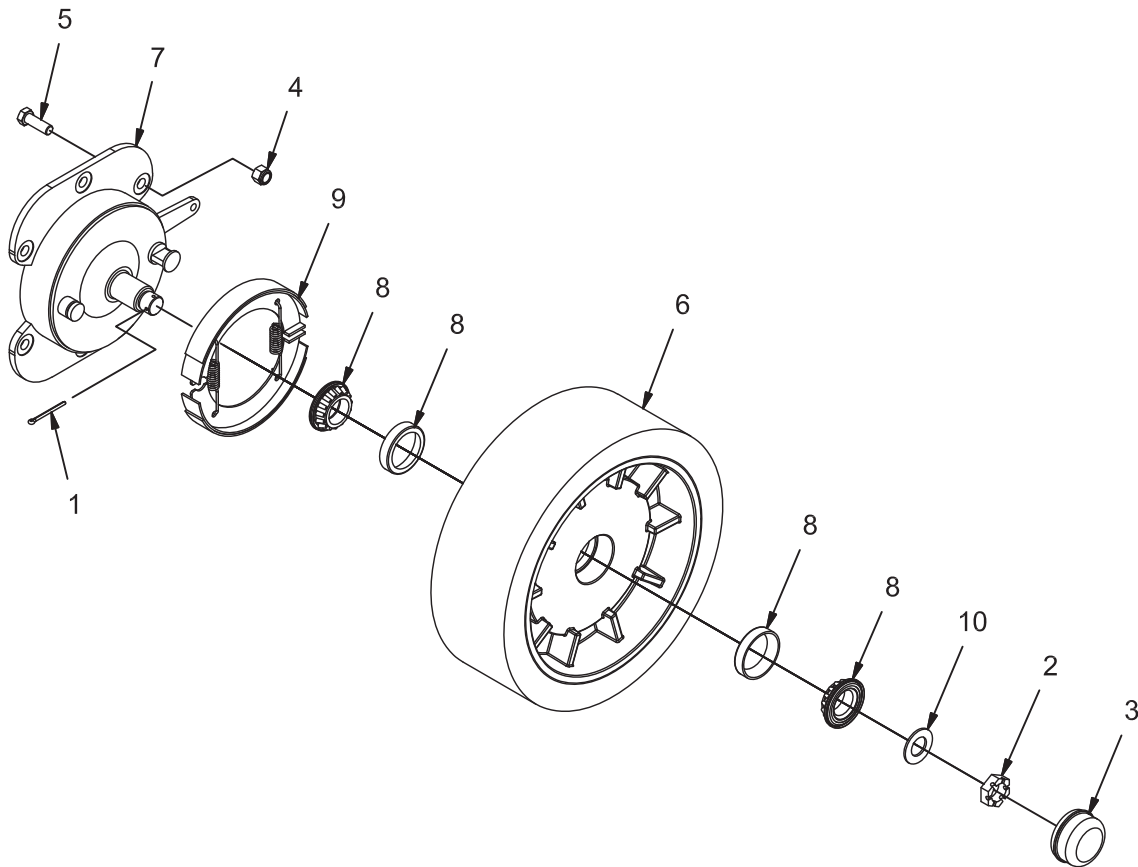


REV B

DEMISTER GROUP (714749)

Parts List - 714749			
ITEM	PART NO.	QTY	DESCRIPTION
1	11038072	1	SCR-HH M6-1.0 X 16 ZP CLASS 8.8
2	3400384	6	WASHER-CONICAL SPRING 5/16
3	600117	1	BUMPER, 1.0 OD, .50 GROMMET, RUBBER
4	600138	1	SPACER, .328 B .500 OD .188T, SS
5	600948	1	WASHER-WAVE .500 ID X 1.00 OD X .040 THI
6	711118	3	SCR-PHSMS 10-12 X .75 SS A POINT
7	712540	4	SCR-THMS 10-24 X .37 SS
8	713527	1	CLAMP - WIRE & TUBE .500 DIA STEEL
9	717024	4	SCR-HH M8-1.25 X 20 ZP GRADE 8.8
10	717030	1	SCR-HH M8-1.25 X 20 SS
11	718097-1	1	DEMISTER
12	718099	1	WELDMENT, RH HINGE, FEM
13	718111	1	SPACER, .344 B .875 OD .750 T
14	718112	1	SUPPORT, DEMISTER
15	718113	1	SCR-HH M8-1.25 X 35 SS
16	718206	1	SCREEN, FILTER
17	718213	2	SCR-BHCS M6-1.00 X 16 CHROME
18	718306	1	SEAL, EXTRUSION, RH
19	718307	1	SEAL, EXTRUSION, CENTER
20	718308	1	SEAL, EXTRUSION, LH
21	718425	1	WELDMENT, COVER, DEMISTER
22	730407	1	WELDMENT, HINGE, FEMALE ZP
23	730526	1	WASHER-FENDER M8 X 24 SS
24	PART OF 718133	2	LATCH KEEPER
25	REFERENCE	1	RECOVERY TANK
26	REFERENCE	1	DUAL HINGE

REAR WHEEL GROUP (714757)

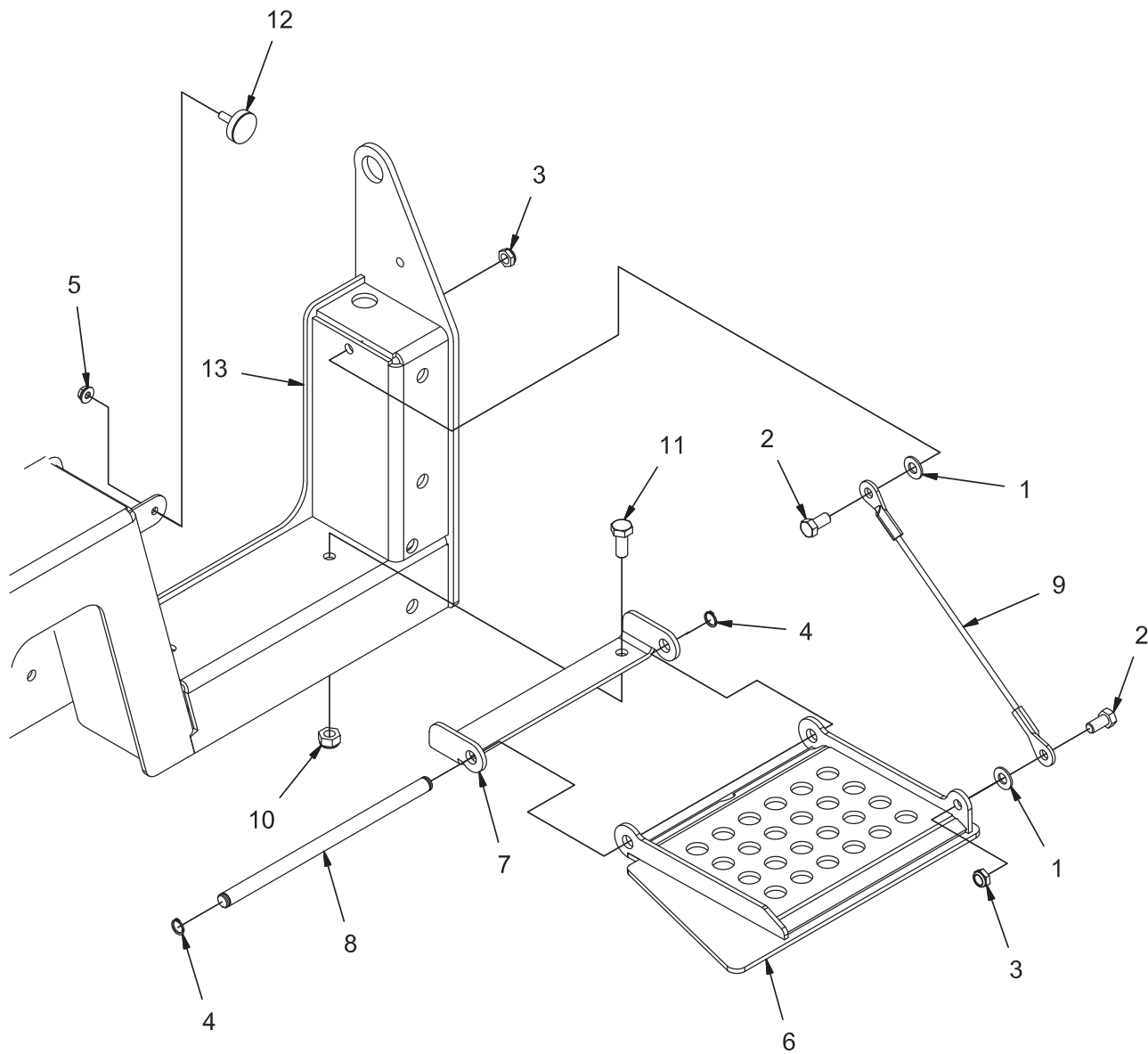


REV B

REAR WHEEL GROUP (714757)

Parts List - 714757			
ITEM	PART NO.	QTY	DESCRIPTION
1	3400120	2	PIN-COTTER 5/32 X 2.00 ZP
2	3400223	2	NUT-HEX SLOTTED 1-20
3	383250	2	GREASE CAP SPINDLE
4	711376	12	NUT-NYLOC 1/2-13 ZP
5	712047	12	SCR-HH 1/2-13 X 1.50 ZP GR 5
6	714501	2	ASSEMBLY, POLYURETHANE TIRE
7	730316	2	ASSEMBLY, BRAKE-AXLE
8	730353	4	BEARING, CONE, INNER & OUTER
9	730357	1	BRAKE SHOE REPLACEMENT KIT
10	730358	2	SPACER, 1.03 B, 1.88 OD, .105 T

REAR STEP GROUP (714758)

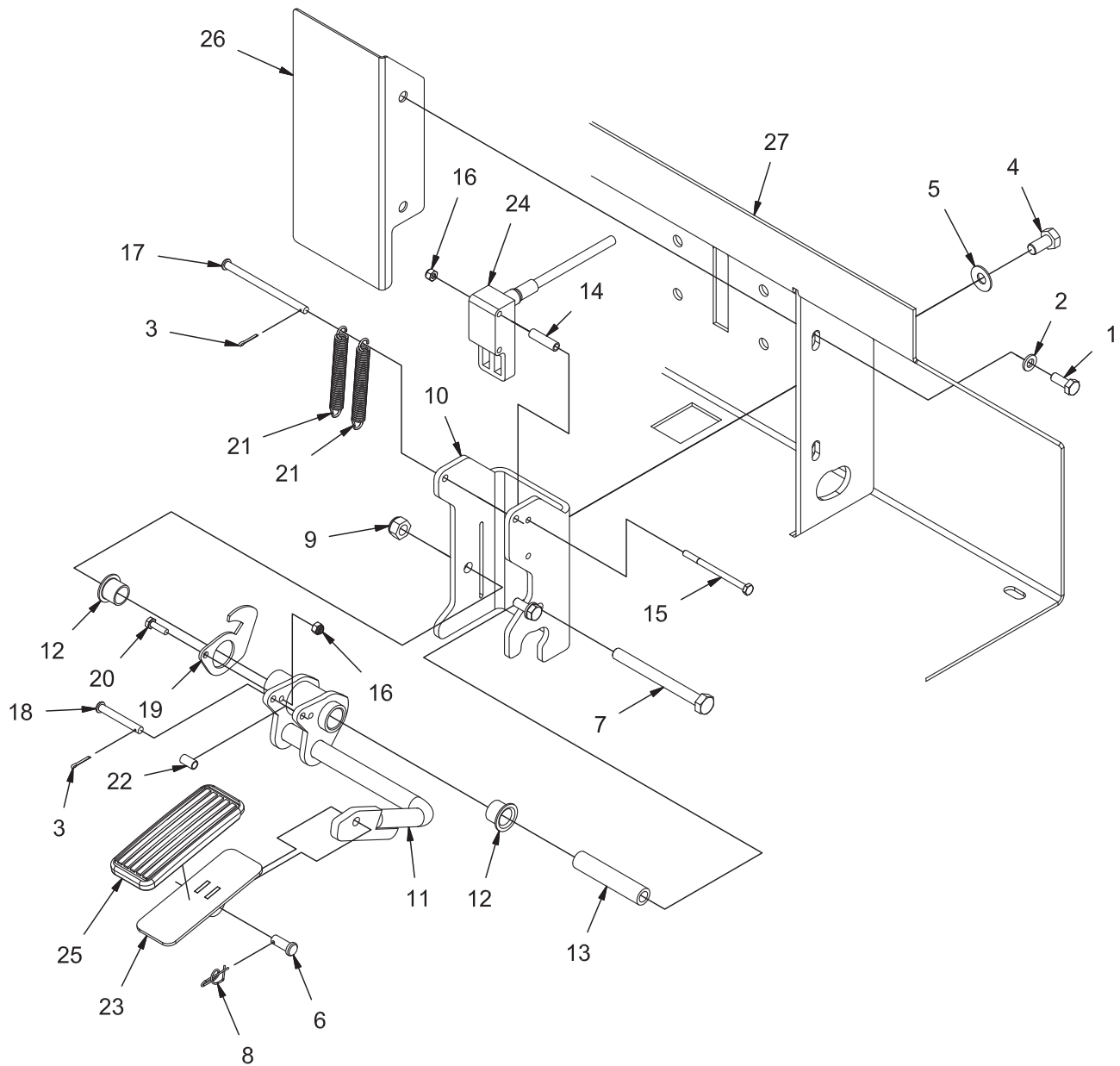


REV B

REAR STEP GROUP (714758)

Parts List - 714758			
ITEM	PART NO.	QTY	DESCRIPTION
1	3400087	2	WASHER-FLAT 3/8 ZP
2	3400335	2	SCR-HH 3/8-16 X .75 SS
3	3401028	2	NUT-JAM 3/8-16 ZP NYLOC
4	600569	2	RET RING-EXT .50 HD
5	711425	1	NUT-FLANGED WIZZ 1/4-20 ZP
6	718237	1	WELDMENT, REAR STEP
7	718238	1	MNT, REAR STEP
8	718239	1	SHAFT, REAR STEP
9	718240	1	CABLE, REAR STEP
10	730339	2	NUT-NYLOC M10-1.50 SS
11	730958	2	SCR-HH M10-1.50 X 25 SS FULL THREAD
12	770137	1	MAGNET, 1.26" OD X .315 THK, 75LB
13	REFERENCE	1	REAR BUMPER

CONTROL PEDAL GROUP (714761)

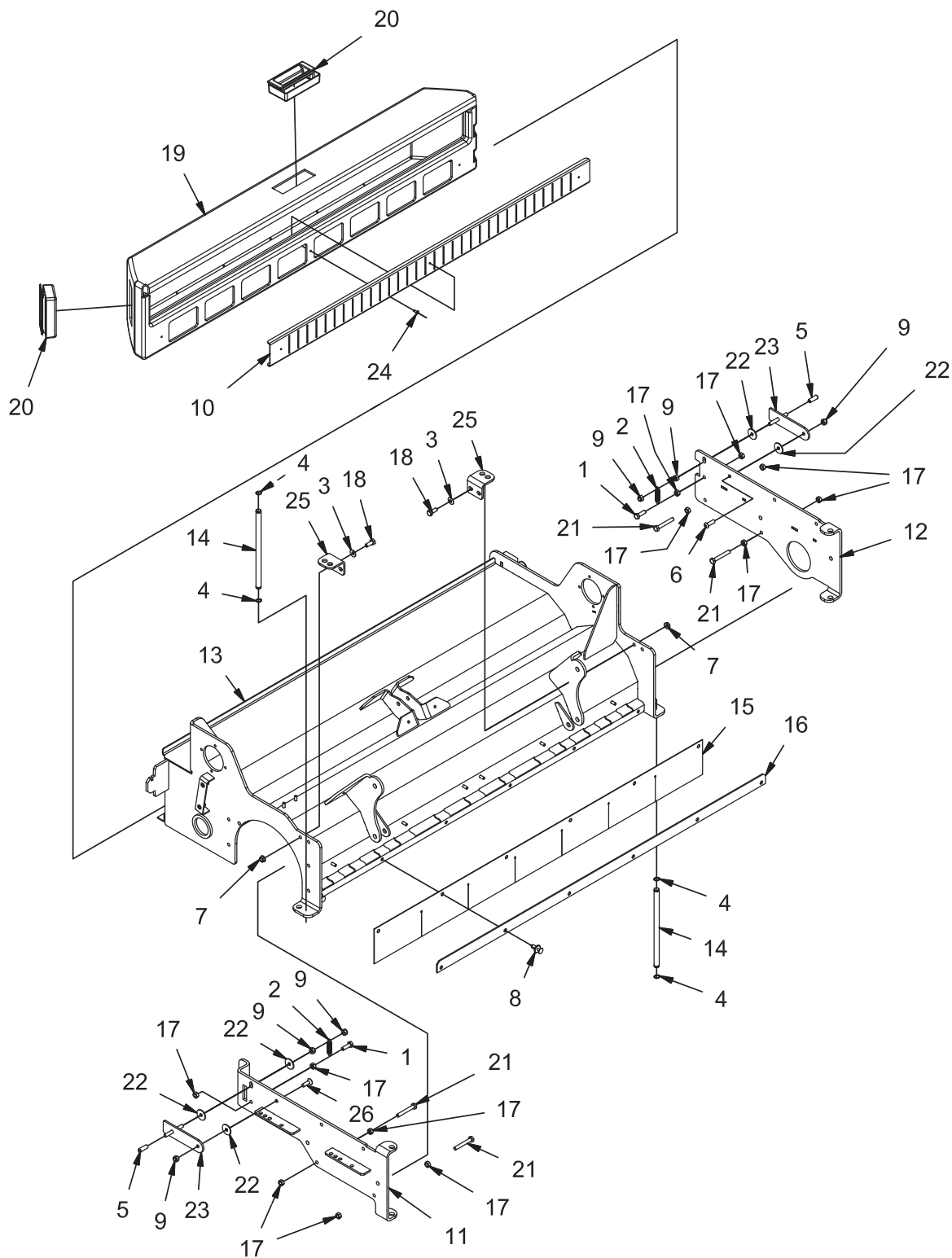


REV B

CONTROL PEDAL GROUP (714761)

Parts List - 714761			
ITEM	PART NO.	QTY	DESCRIPTION
1	11038072	2	SCR-HH M6-1.0 X 16 ZP CLASS 8.8
2	12310033	2	WASHER-FLAT M6.4 X 12 X 1.6 ZP
3	3343065	2	PIN-COTTER 1/16 X .5 SS
4	3400291	2	SCR-HH M8-1.25 X 16 ZP CLASS 8.8
5	3400384	2	WASHER-CONICAL SPRING 5/16
6	3400425	1	PIN-CLEVIS 1/4 X 5/8 ZP
7	3400471	1	SCR-HH, 5/16-18 X 3.25, GR 5, ZP
8	3400742	1	RING-RUE 1/4 ZP
9	711374	1	NUT-NYLOC 5/16-18 ZP
10	718256	1	WELDMENT, PEDAL BASE
11	718257	1	WELDMENT, PEDAL ARM
12	718258	2	BEARING, DU FLANGED 1/2 X 1/2
13	718259	1	SPACER, .316 B X .050 OD X 2.440 T
14	718261	2	SPACER, .180 B X .250 OD X 0.920 T
15	718262	2	SCR-HH M4-0.7 X 60 ZP
16	718263	3	NUT-NYLOC M4-0.7 ZP
17	718264	1	PIN-CLEVIS 3/16 X 3.0 SS
18	718265	1	PIN-CLEVIS 3/16 X 1.50 ZP
19	718266	1	CAM, DIR CONT
20	718267	1	SCR-HH M4-0.7 X 14 ZP
21	718268	2	SPRING, EXT .360 ID .055 WIRE 2.75 L
22	718269	1	SPACER, .194 B X .250 OD X 0.440 T
23	718270	1	WELDMENT, PEDAL
24	718276	1	SENSOR, NON-CONTACT
25	718285	1	PAD, PEDAL
26	718386	1	WELDMENT, PEDAL COVER
27	REFERENCE	1	CONSOLE

CYLINDRICAL SCRUB HEAD GROUP (714700)



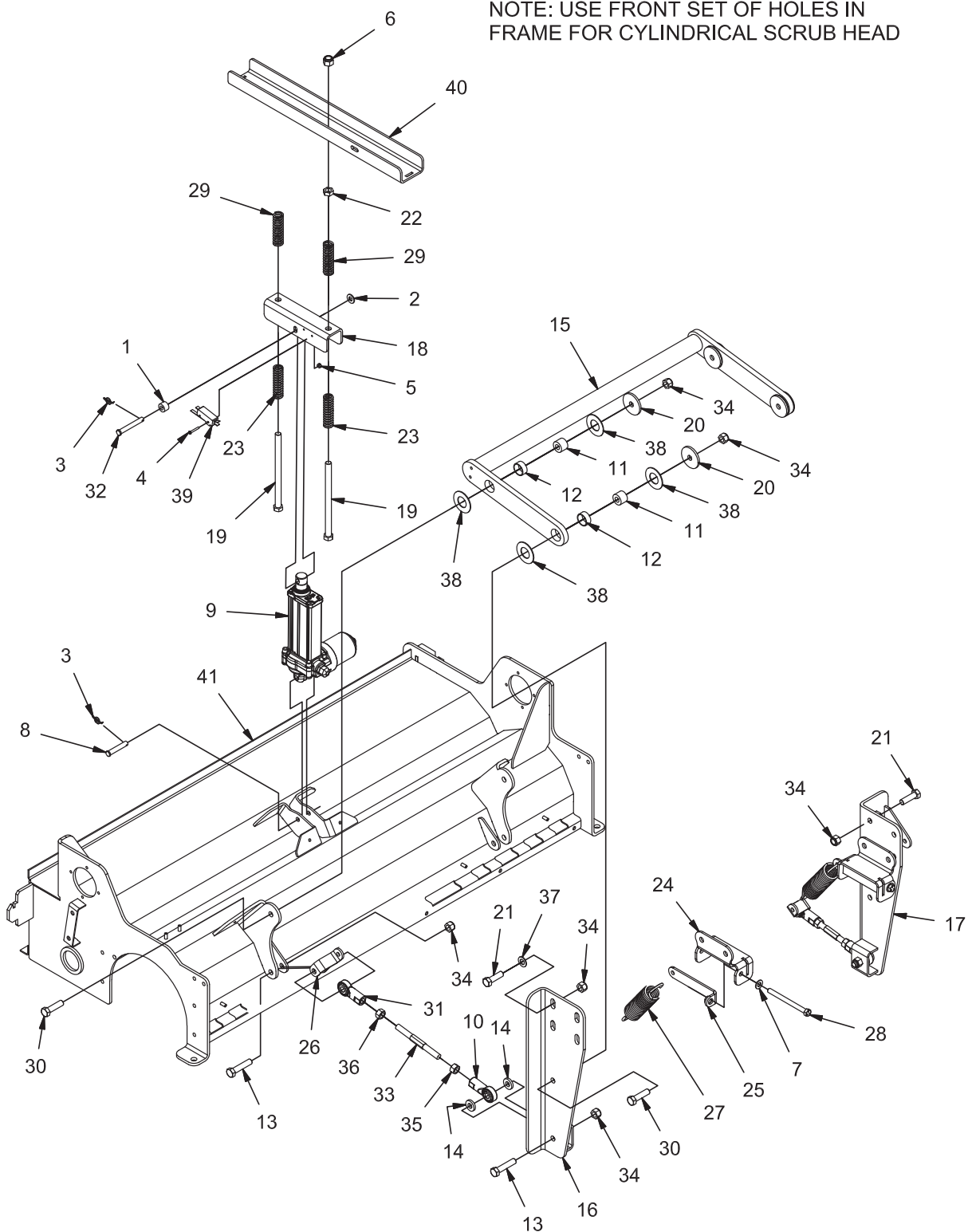
REV D

CYLINDRICAL SCRUB HEAD GROUP (714700)

Parts List -			
ITEM	PART NO.	QTY	DESCRIPTION
1	11039567	2	SCR-HH M8-1.25 X 25 SS
2	3304160	2	SPRING-EXTENTION, 2.00 LG
3	3400384	4	WASHER-CONICAL SPRING 5/16
4	600569	4	RET RING-EXT .50 HD
5	600910	2	CAP, .313 X 1" VINYL BLACK
6	600917	1	SCR-BHSCS M8-1.25 X 25 SS
7	600934	4	NUT-FLANGE WIZZ M8-1.25 ZP
8	600965	6	FASTENER-PUSH TYPE RETAINER
9	712683	6	NUT-NYLOC 5/16-18 SS
10	714506	1	CHANNEL, DAM
11	714508	1	WELDMENT, SIDE SQU MNT, RH
12	714509	1	WELDMENT, SIDE SQU MNT, LH
13	714514-1	1	WELDMENT, SCRUB HEAD ASSY
14	714529	2	SHAFT, HINGE
15	714530	1	SKIRT, SCRUB HEAD
16	714531	1	STRAP, RETAINER
17	717029	12	NUT-HEX M8 X 1.25 SS
18	717030	4	SCR-HH M8-1.25 X 20 SS
19	718339-1	1	HOPPER, CYLINDRICAL
20	719190	2	HANDLE, FLUSH PULL
21	730507	4	SCR-HH M8-1.25 X 55 SS
22	730526	6	WASHER-FENDER M8 X 24 SS
23	730622	2	WELDMENT, DOOR LATCH
24	730654	3	RIVET-BLIND 5/32 .125 GRIP SS
25	731131	2	HINGE, ADJ, SS
26	731139	1	SCR-FHSCS M8-1.25 X 25 SS

CYLINDRICAL SCRUB HEAD LIFT GROUP (714701)

NOTE: USE FRONT SET OF HOLES IN FRAME FOR CYLINDRICAL SCRUB HEAD



REV D

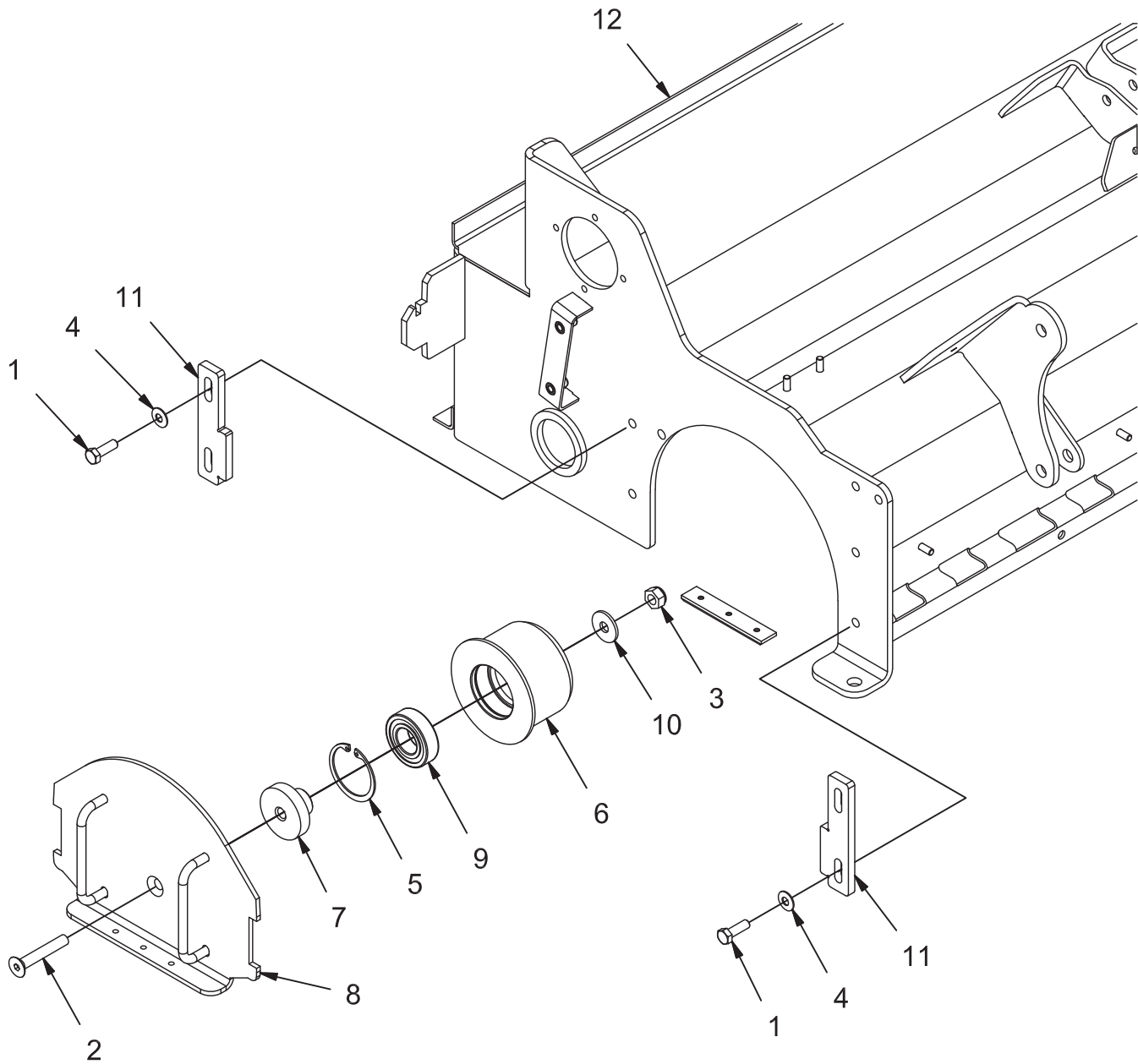
CYLINDRICAL SCRUB HEAD LIFT GROUP (714701)

Parts List - 714701			
ITEM	PART NO.	QTY	DESCRIPTION
1	3337258	1	STANDOFF - .38 ID X .75 OD X .50 LG
2	3400087	1	WASHER-FLAT 3/8 ZP
3	3400125	2	RING-RUE 3/8
4	710307	2	SCR-PHMS 6-32 X 1.00 ZP
5	711371	2	NUT-NYLOC 6-32 ZP
6	711376	2	NUT-NYLOC 1/2-13 ZP
7	711515	2	WASHER-FLAT 3/8 X .812 X .0625 ZP
8	714586	1	PIN, CLEVIS, 10MM
9	714592-1	1	ACTUATOR ASSY, SCRUB HEAD
10	714638	2	ROD END, M12 LH
11	714646	4	SPACER
12	714647	4	BEARING, FIBERGLIDE, 1.000 ID X .50 T
13	714648	4	SCR-HH M12-1.75 X 55 SS
14	714649	4	SPACER, .484 B 1.00 OD .179 T
15	718003	1	WELDMENT, TRAILING ARM
16	718004	1	WELDMENT, RH FRAME MNT
17	718005	1	WELDMENT, LH FRAME MNT
18	718013	1	CHANNEL, SPRING MNT
19	718014	2	SCR-HH 1/2-13 X 7.50 18-8 SS
20	718015	4	WASHER, .484 B 2.00 OD .179 T
21	718023	8	SCR-HH M12-1.75 X 40 SS
22	718178	2	NUT, HEX JAM 1/2-13 ZP
23	718180	2	SPRING, .813 OD, .135W, 3.00L SS
24	719486	2	HEAD WEIGHT SPRING BRACKET
25	719487	2	HEAD WEIGHT SPRING TENSIONER
26	719488	2	HEAD WEIGHT SPRING MOUNT
27	719489	2	SPRING
28	719490	2	SCR-HH, 3/8-16 X 4.50 ZP GR 5 FULL THRD
29	719505	2	SPRING, COMPRESS, .875OD .12W 3.00L SS
30	730516	4	SCR-HH M12-1.75 X 45 SS
31	730544	2	ROD END, FEM, M12-1.75
32	730602	1	PIN-CLEVIS .375 X 2.75 ZP
33	730603	2	ROD, ADJ
34	730605	16	NUT-NYLOC M12-1.75 SS
35	730606	2	NUT-HEX M12-1.75 SS LEFT-HAND THREAD
36	730607	2	NUT-HEX M12-1.75 SS
37	730608	4	WASHER-FLAT M12 SS
38	730957	8	WASHER, THRUST, 1.03 B 2.00 OD .063 T
39	740830	1	SWITCH, LEVER
40	REFERENCE	1	FRAME
41	REFERENCE	1	CYLINDRICAL SCRUB HEAD

SCRUB BRUSH DRIVE GROUP (714702)

Parts List - 714702			
ITEM	PART NO.	QTY	DESCRIPTION
1	12332011	4	WASHER-FLAT M6.4 X 18 X 1.6 ZP
2	200528	4	KEY-1/4 X 1/4 X 3/4
3	3400384	4	WASHER-CONICAL SPRING 5/16
4	600575	2	RET RING-INT 2.00
5	600912	2	SCR-SHCS M6-1.00 X 16 ZP
6	600913	8	SCR-HH M6-1.00 X 20 SS
7	711488	8	WASHER-LOCK M6 SPLIT, HIGH-COLLAR, SS
8	714502	2	SHAFT, BRUSH DRIVE
9	714503-1	2	HUB, DRIVE
10	714512	2	PULLEY, MOTOR
11	714513	2	PULLEY, BRUSH
12	714515	2	SPACER, BEARING
13	714517	2	BELT, DRIVE
14	714518	2	GUARD, BELT
15	714519	4	BEARING, BALL, 205PP
16	714523	3	SCR-SET 8-32 X .25 SS
17	714524	2	MOTOR, 36VDC, 1750 RPM
18	714525	2	SEAL, BELT GUARD
19	714581	2	KEY .188 SQ X .875
20	717030	4	SCR-HH M8-1.25 X 20 SS
21	717040	4	WASHER-FLAT M10.5 X 30 X 2.5 SS
22	718204	2	SEAL, RING
23	718222	2	RETAINER, PULLEY
24	718298	1	TOOL, BELT INSTALLATION
25	730934	4	SCR-HH M6-1.00 X 16 SS FULL THREAD
26	REFERENCE	1	SCRUB HEAD

CYLINDRICAL SCRUB BRUSH IDLER GROUP (714703)

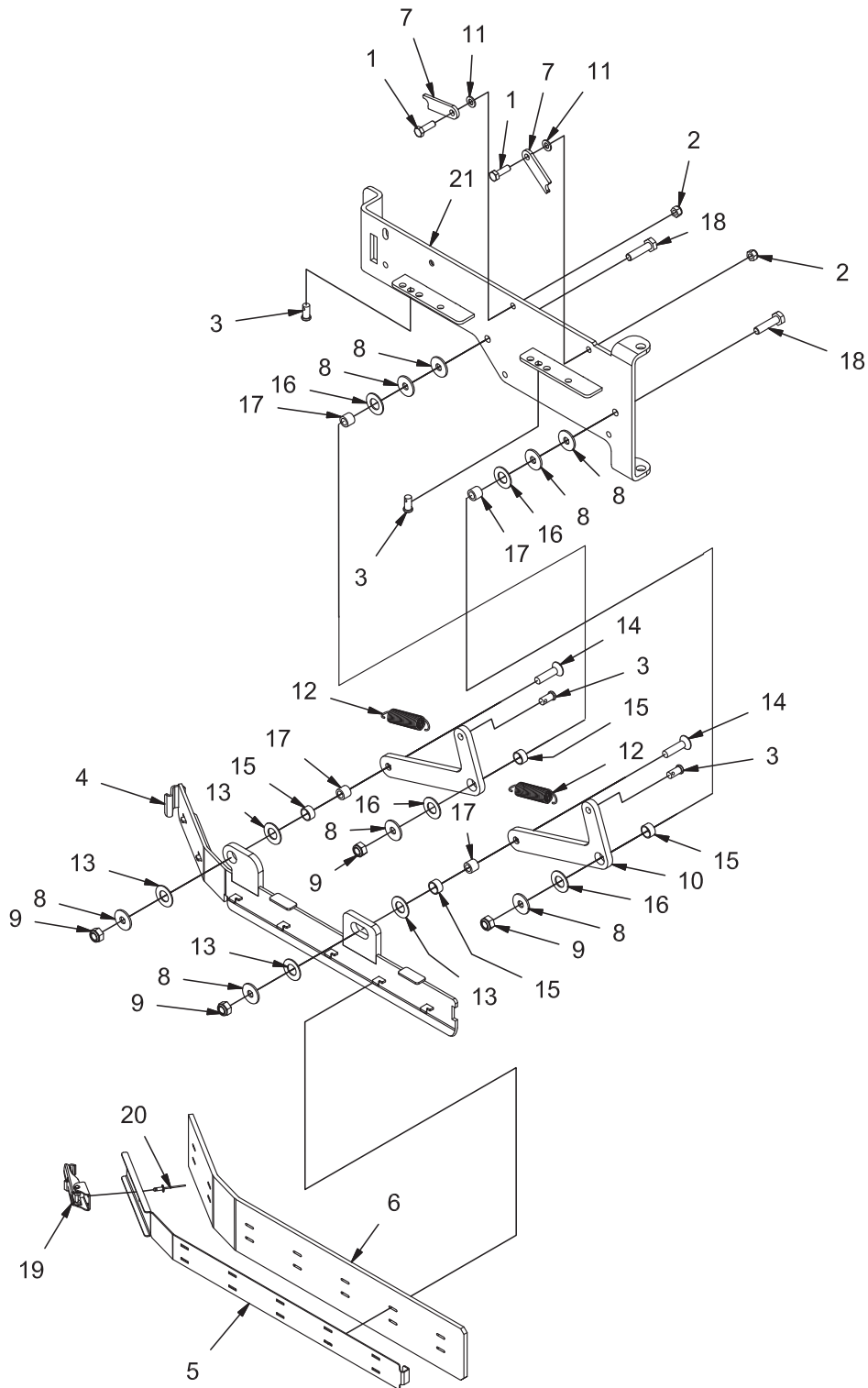


REV B

CYLINDRICAL SCRUB BRUSH IDLER GROUP (714703)

Parts List - 714703			
ITEM	PART NO.	QTY	DESCRIPTION
1	11039567	8	SCR-HH M8-1.25 X 25 SS
2	11225620	2	SCR-FHCS M10 X 1.5 X 60 FULL THRD ZP
3	12040069	2	NUT-NYLOC M10 X 1.5 ZD CLASS 6
4	3400384	8	WASHER-CONICAL SPRING 5/16
5	600575	2	RET RING-INT 2.00
6	714504	2	HUB, IDLER
7	714505	2	MOUNT, BEARING
8	714516	2	WELDMENT, IDLER PLATE
9	714519	2	BEARING, BALL, 205PP
10	717040	2	WASHER-FLAT M10.5 X 30 X 2.5 SS
11	718166	4	PLATE, ADJ
12	REFERENCE	1	CYLINDRICAL SCRUB HEAD

SIDE SQUEEGEE GROUP - RH (714704)

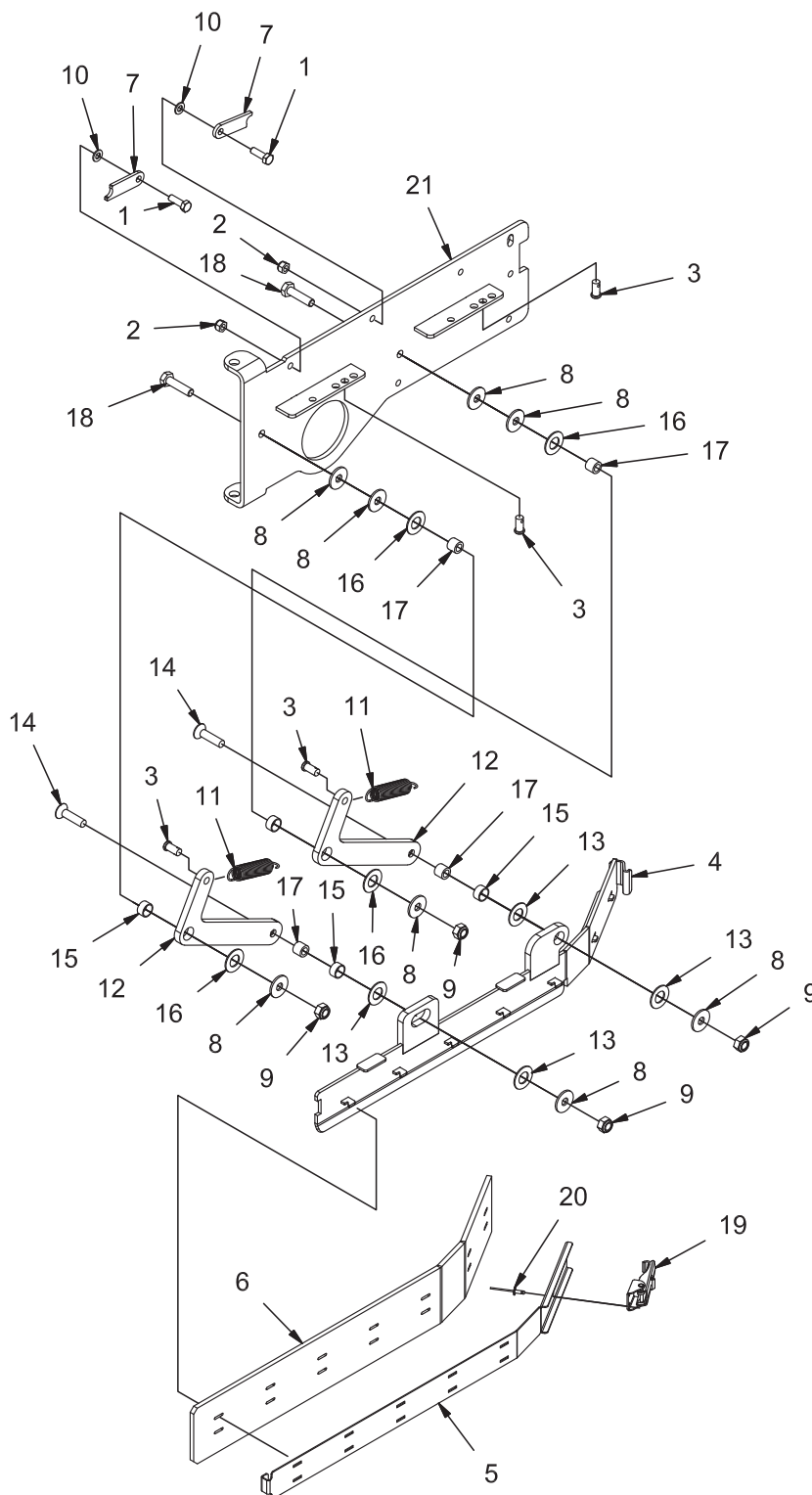


REV C

SIDE SQUEEGEE GROUP - RH (714704)

Parts List - 714704			
ITEM	PART NO.	QTY	DESCRIPTION
1	11039567	2	SCR-HH M8-1.25 X 25 SS
2	12040259	2	NUT-NYLOC M8 X 1.25 SS
3	711679	4	PIN-CLEVIS 3/8 X .750 ZP
4	714510	1	WELDMENT, BLADE MNT, RH
5	714520	1	STRAP, SIDE SQU
6	714521	1	SQUEEGEE BLADE, SIDE LINATEX
7	714643	2	LATCH, DOUBLE SCRUB
8	717040	8	WASHER-FLAT M10.5 X 30 X 2.5 SS
9	730339	4	NUT-NYLOC M10-1.50 SS
10	730346	2	ARM, SIDE SQU, RH BLK
11	730609	2	WASHER-FLAT M8 SS
12	730619	2	SPRING, EXT, .07 W .75 OD 3.50 L SS
13	730641	4	WASHER, BACKED THRUST, .66B 1.25OD .06T
14	730645	2	SCR-FHSCS M10-1.50 X 40 SS
15	730646	4	BEARING, DU, .63B .72OD .38T
16	730647	4	WASHER, THRUST, .66B 1.25OD .06T
17	730648	4	SPACER, .406 X .624OD .515T SS
18	730649	2	SCR-HH M10-1.50 X 40 SS
19	730652	1	LATCH, UNDER CENTER
20	730654	2	RIVET-BLIND 5/32 .125 GRIP SS
21	REFERENCE	1	RH SQUEEGEE MOUNT

SIDE SQUEEGEE GROUP - LH (714705)

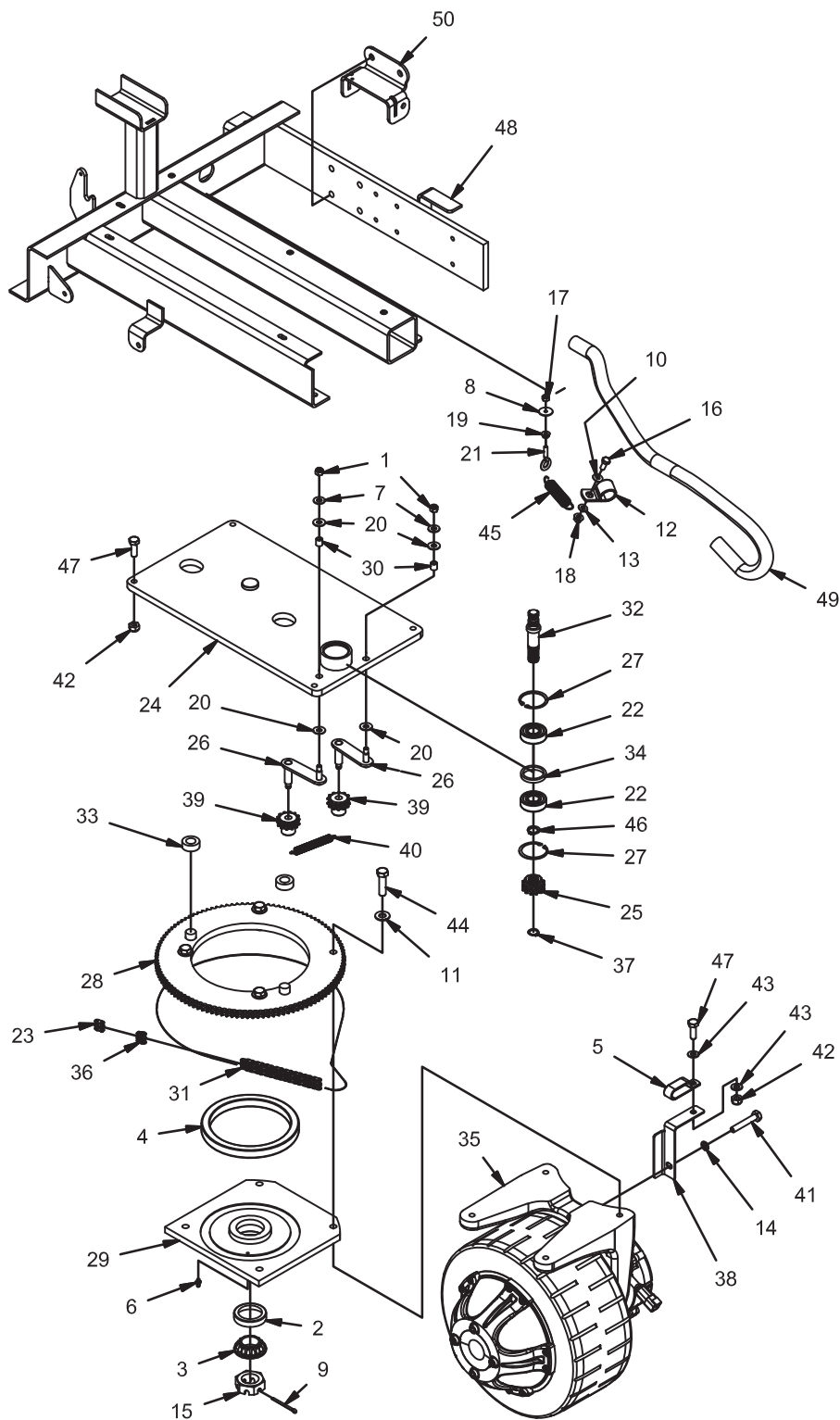


REV B

SIDE SQUEEGEE GROUP - LH (714705)

Parts List - 714705			
ITEM	PART NO.	QTY	DESCRIPTION
1	11039567	2	SCR-HH M8-1.25 X 25 SS
2	12040259	2	NUT-NYLOC M8 X 1.25 SS
3	711679	4	PIN-CLEVIS 3/8 X .750 ZP
4	714511	1	WELDMENT, BLADE MNT, LH
5	714520	1	STRAP, SIDE SQU
6	714521	1	SQUEEGEE BLADE, SIDE LINATEX
7	714643	2	LATCH, DOUBLE SCRUB
8	717040	8	WASHER-FLAT M10.5 X 30 X 2.5 SS
9	730339	4	NUT-NYLOC M10-1.50 SS
10	730609	2	WASHER-FLAT M8 SS
11	730619	2	SPRING, EXT, .07 W .75 OD 3.50 L SS
12	730620	2	ARM, SIDE SQU, LH BLK
13	730641	4	WASHER, BACKED THRUST, .66B 1.25OD .06T
14	730645	2	SCR-FHSCS M10-1.50 X 40 SS
15	730646	4	BEARING, DU, .63B .72OD .38T
16	730647	4	WASHER, THRUST, .66B 1.25OD .06T
17	730648	4	SPACER, .406 X .624OD .515T SS
18	730649	2	SCR-HH M10-1.50 X 40 SS
19	730652	1	LATCH, UNDER CENTER
20	730654	2	RIVET-BLIND 5/32 .125 GRIP SS
21	REFERENCE	1	LH SQUEEGEE MOUNT

DRIVE WHEEL GROUP - CYLINDRICAL (714709)



REV E

DRIVE WHEEL GROUP - CYLINDRICAL (714709)

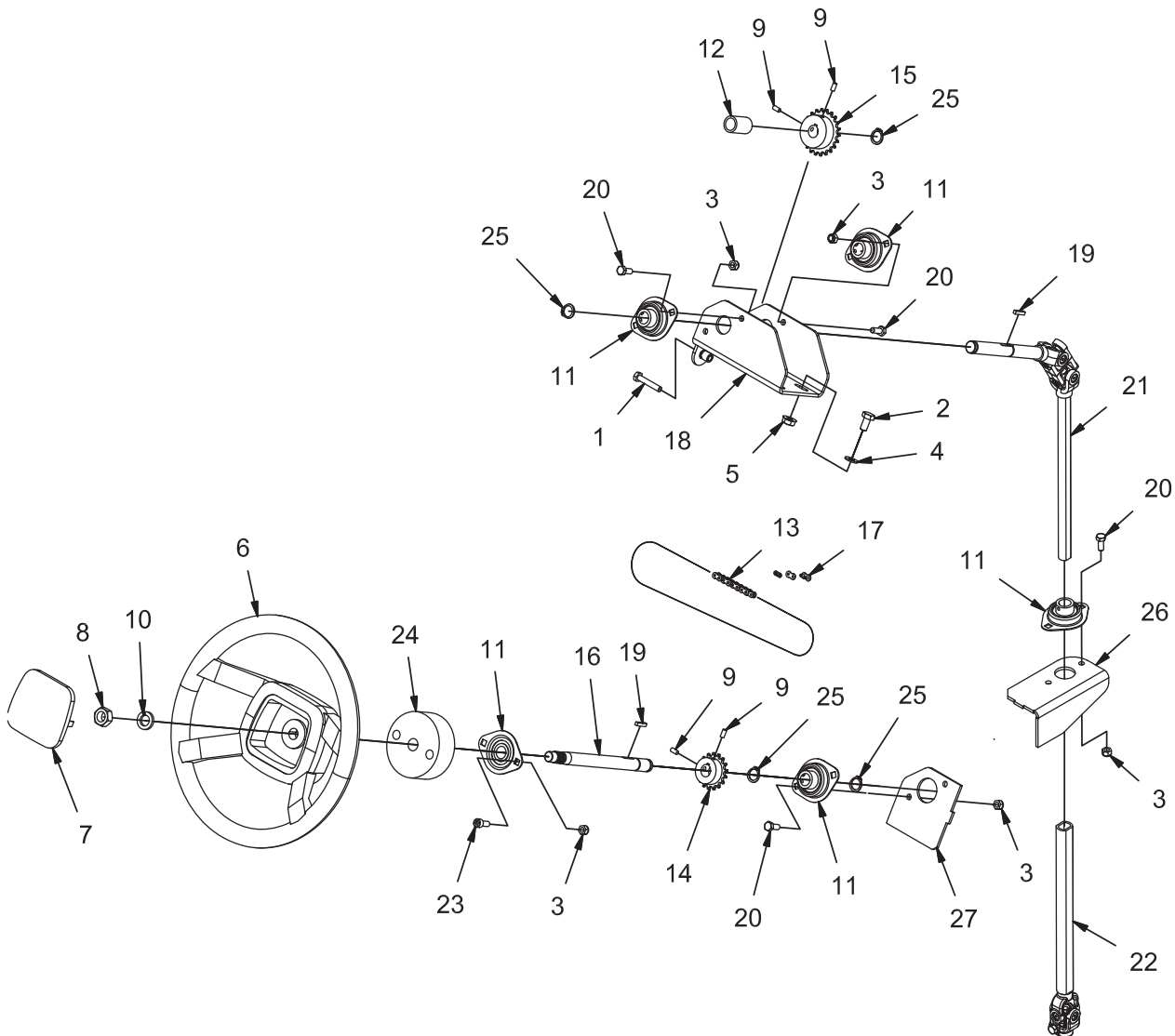
Parts List - 714709			
ITEM	PART NO.	QTY	DESCRIPTION
1	12040259	2	NUT-NYLOC M8 X 1.25 SS
2	3300470	1	BEARING-TAPERED ROL CUP
3	3300471	1	BEARING-TAPERED ROLCONE W/SEAL
4	3300472	1	BEARING-THRUST 5.812 ID X 7.00 OD
5	3335599	1	CLAMP-DOUBLE TUBE 3/4 VINYL CUSHION
6	3400012	1	FTG-GREASE 3/16
7	3400087	2	WASHER-FLAT 3/8 ZP
8	3400090	1	WASHER-FENDER 1/4 X 1.00 ZP
9	3400120	1	PIN-COTTER 5/32 X 2.00 ZP
10	3400384	1	WASHER-CONICAL SPRING 5/16
11	3400387	4	WASHER-CONICAL SPRING 1/2
12	3400999	1	CLAMP - WIRE & TUBE 1.125 DIA STEEL
13	600941	1	WASHER-FLAT 5/16 X .688 ZP
14	600945	1	WASHER-LOCK M10
15	620066	1	NUT-CASTLE 1 1/4-12 JAM ZP
16	711228	1	SCR-HH 5/16-18 X .75 ZP GR 5
17	711373	1	NUT-NYLOC 1/4-20 ZP
18	711379	1	NUT-FLANGED WIZZ 5/16-18 ZP
19	711425	1	NUT-FLANGED WIZZ 1/4-20 ZP
20	711569	4	WASHER-FLAT .390 X .880 X .062 NYL
21	712026	1	BLT-EYE 1/4-20 X 1' (3" O.A.L.) ZP
22	714553	2	BEARING, BALL .79 B 1.85 OD .55 T
23	714554	1	DOUBLE CHAIN CONNECTOR LINK #35
24	714555	1	WELDMENT, BEARING MNT
25	714557	1	SPROCKET, DOUBLE, 12 T .375 P
26	714560	2	WELDMENT, TENSIONER
27	714562	2	RETAINING RING 1.85
28	714563	1	WELDMENT, FORK SPROCKET

*****CONTINUED ON NEXT PAGE*****

Parts List - 714709			
ITEM	PART NO.	QTY	DESCRIPTION
29	714564-1	1	WELDMENT. FORK MNT, MACH
30	714565	2	BEARING, DU, .375 B .468 OD .50 T
31	714566	1	CHAIN, RLLR, DBL, .375 PITCH
32	714568	1	SHAFT, FORK SPROCKET
33	714569	2	BUMPER, STEERING
34	714570	1	SPACER, BEARING
35	714571	1	ASSEMBLY, WHEEL DRIVE
36	718242	1	CHAIN LINK, #35 DOUBLE OFFSET
37	718363	1	RETAINING RING, EXTERNAL, 11/16
38	718427	1	BRACKET, DRIVE MOTOR HARNESS
39	719137	2	SPROCKET, DOUBLE STRAND
40	719170	1	SPRING, EXT, .063W .05OD, 3.75L SS
41	730323	1	SCR-HH M10-1.50 X 60 SS
42	730339	5	NUT-NYLOC M10-1.50 SS
43	730344	2	WASHER-FLAT M10 SS
44	730516	4	SCR-HH M12-1.75 X 45 SS
45	730619	1	SPRING, EXT, .07 W .75 OD 3.50 L SS
46	730877	1	RET RING-EXT .750
47	730878	5	SCR-HH M10-1.50 X 30 SS
48	REFERENCE	1	CYLINDRICAL FRAME
49	REFERENCE	1	DIVE WHEEL HARNESS
50	REFERENCE	1	HEAD WEIGHT SPRING BRACKET

**THIS PAGE INTENTIONALLY
LEFT BLANK**

STEERING GROUP, MANUAL (714711)

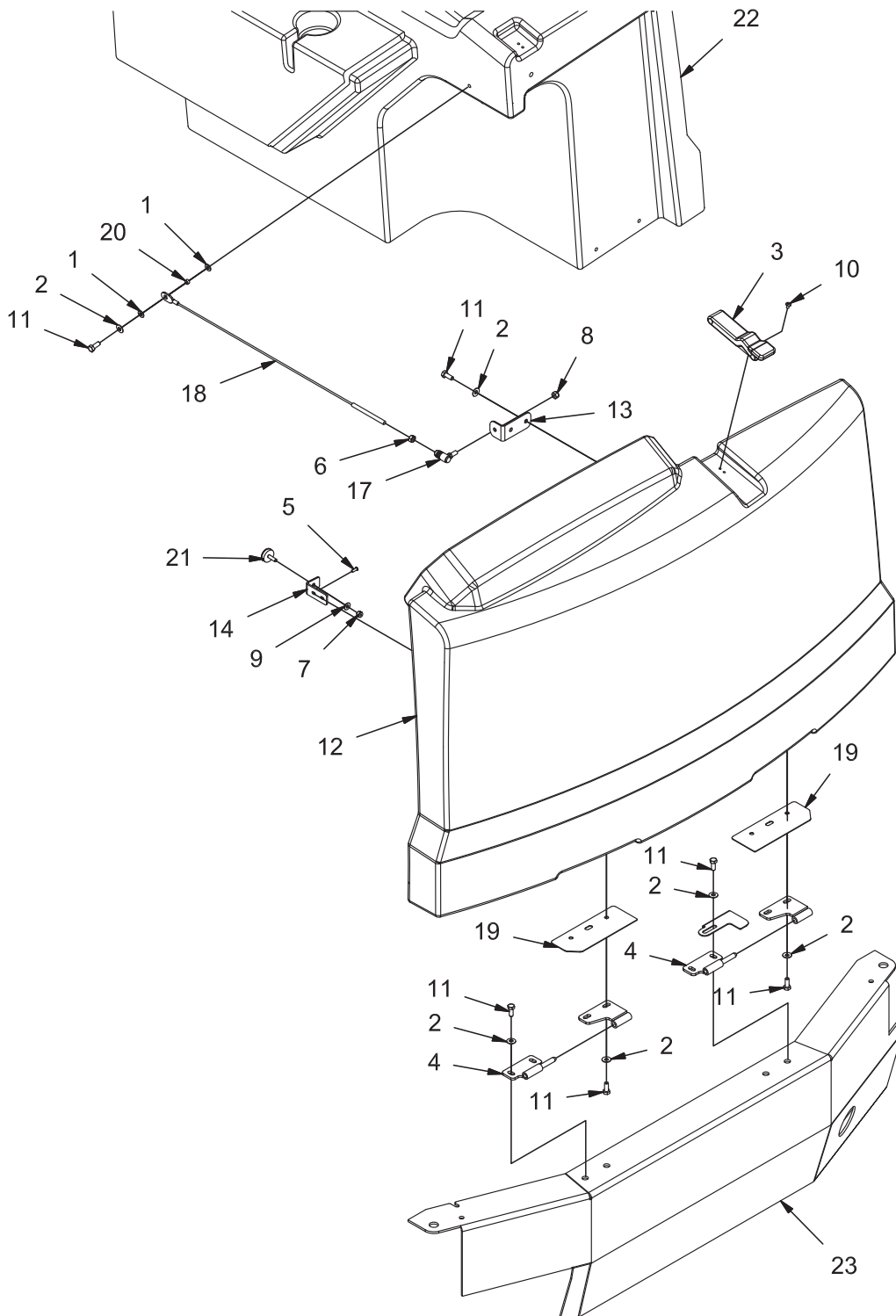


REV G

STEERING GROUP, MANUAL (714711)

Parts List - 714711			
ITEM	PART NO.	QTY	DESCRIPTION
1	11038299	1	SCR-HH M8-1.25 X 45 ZP CLASS 8.8
2	11038353	2	SCR-HH M10-1.5 X 20 ZD CLASS 8.8
3	12040051	10	NUT-NYLOC M8 X 1.25 ZP CLASS 8
4	3400385	2	WASHER-CONICAL SPRING 3/8
5	600936	2	NUT-FLANGE WIZZ M10-1.50 ZP CLASS 8
6	610000	1	STEERING WHEEL, POWERBOSS
7	610001	1	STEERING WHEEL CAP, POWERBOSS
***	610003	1	STEERING WHEEL KNOB (NOT SHOWN)
8	620057	1	NUT-JAM M16 X 1.50 ZP
9	712160	4	SCR-SET M6 X 12 SS CP
10	712315	1	WASHER-LOCK 5/8 SPLIT ZP
11	714558	5	BEARING, .750 2-BOLT FLANGE
12	714559	1	BEARING, BRONZE .750 B 1.000 OD 1.500 L
13	714575	1	CHAIN, ROLLER, .375 PITCH
14	714576	1	SPROCKET .375 PITCH 17 T
15	714577	1	SPROCKET .375 PITCH 22 T
16	714578	1	SHAFT, STEERING WHEEL
17	714579	1	CHAIN CONNECTOR #35
18	714580-1	1	ASSEMBLY, CHANNEL, CHAIN ADJ
19	714581	2	KEY .188 SQ X .875
20	717024	8	SCR-HH M8-1.25 X 20 ZP GRADE 8.8
21	718151	1	STEERING SHAFT, MANUAL, UPPER
22	718152	1	STEERING SHAFT, MANUAL, LOWER
23	718310	2	SCR-BHSCS M8-1.25 X 20 ZP
24	718311	1	RING, STEERING
25	730877	4	RET RING-EXT .750
26	REFERENCE	1	CONSOLE
27	REFERENCE	1	CONSOLE

FRONT COVER GROUP (714739)

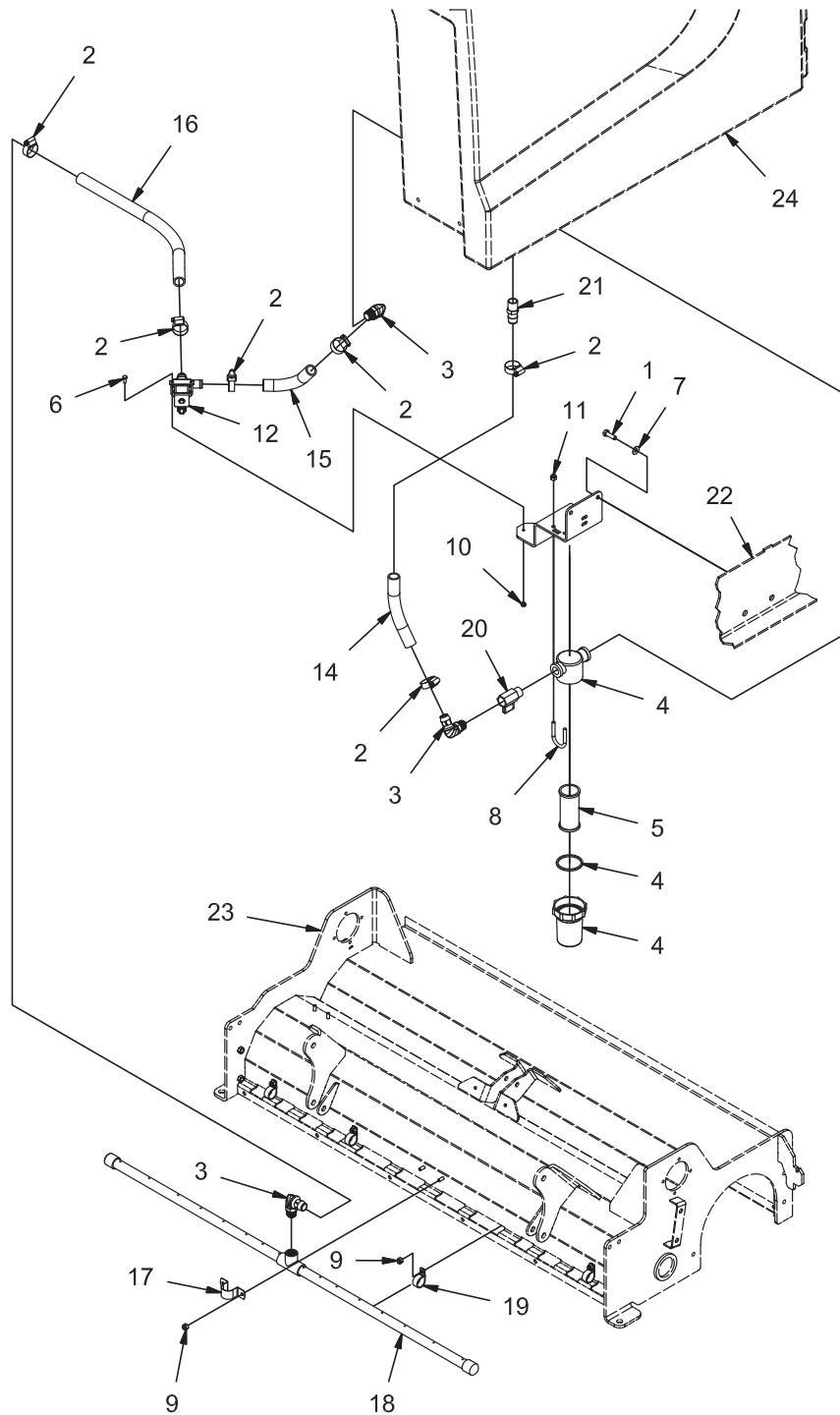


REV B

FRONT COVER GROUP (714739)

Parts List - 714739			
ITEM	PART NO.	QTY	DESCRIPTION
1	12310041	2	WASHER-FLAT M8.4 X 16 X 1.6 ZP
2	3400384	11	WASHER-CONICAL SPRING 5/16
3	340664	1	LATCH-SOFT W/KEEPER
4	600383	2	WELDMENT HINGE MALE ZP
5	711163	2	SCR-HI/LO PPH, 10 X .50 BLACK ZINC
6	711322	1	NUT-HEX 5/16-24 ZP
7	711373	1	NUT-NYLOC 1/4-20 ZP
8	711374	1	NUT-NYLOC 5/16-18 ZP
9	711505	1	WASHER-FLAT 1/4 ZP
10	712540	2	SCR-THMS 10-24 X .37 SS
11	717024	11	SCR-HH M8-1.25 X 20 ZP GRADE 8.8
12	718130-1	1	COVER, FRONT
13	718144	1	MNT, CABLE
14	718381	1	BRACKET, FRONT COVER, MAGNET
15	718385	1	RETAINER, COVER, SCRUB MASTER 45
16	730407	2	WELDMENT, HINGE, FEMALE ZP
17	730430	1	BALL JOINT, .312, QUICK RELEASE
18	730431	1	CABLE ASSEMBLY
19	730447	2	COVER, HINGE DG
20	730448	1	SPACER, .328 B, .375 OD, .188 T
21	770137	1	MAGNET, 1.26" OD X .315 THK, 75LB
22	REFERENCE	1	SOLUTION TANK
23	REFERENCE	1	FRAME

SOLUTION CONTROL GROUP, CYLINDRICAL (714742)

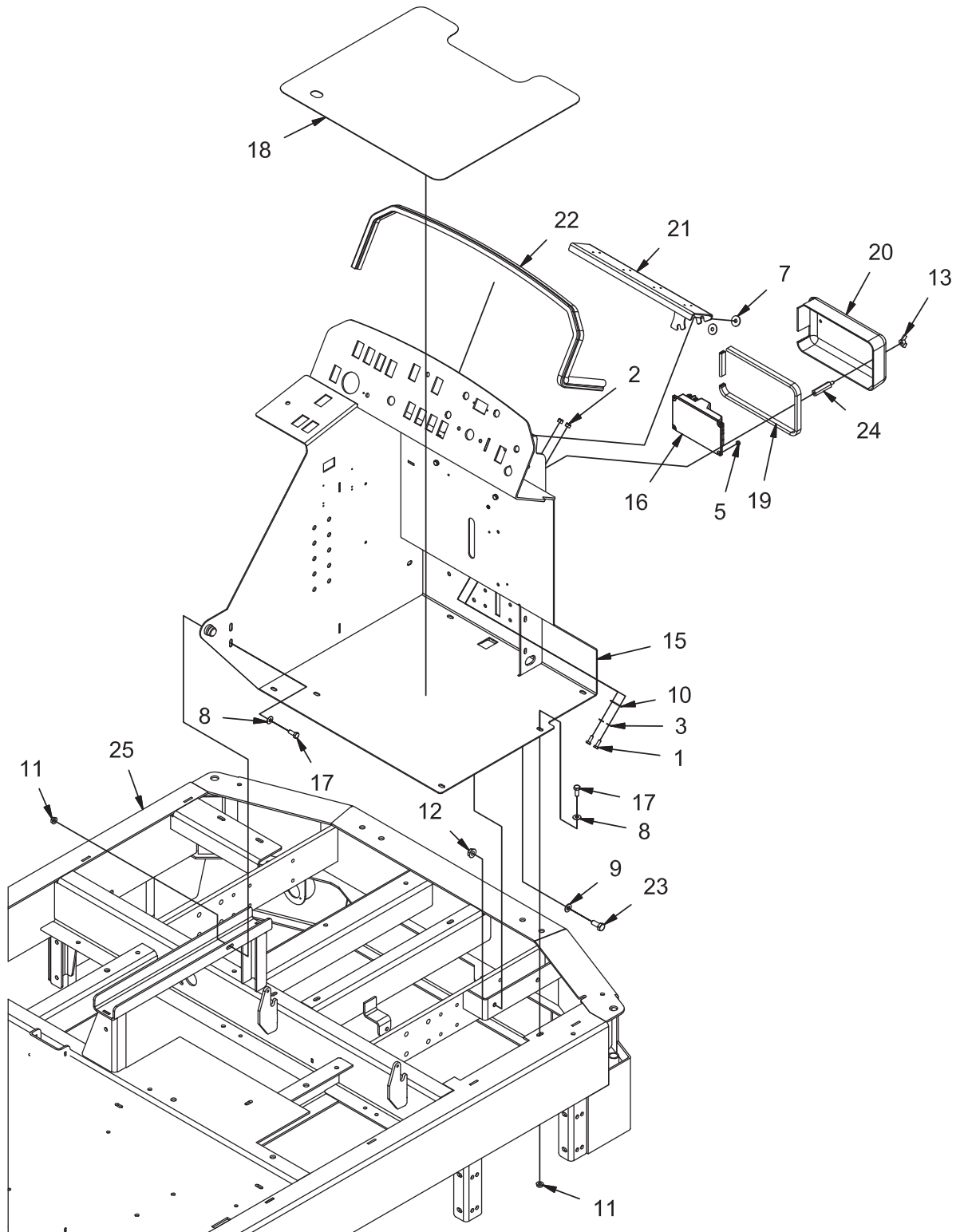


REV A

SOLUTION CONTROL GROUP, CYLINDRICAL (714742)

Parts List - 714742			
ITEM	PART NO.	QTY	DESCRIPTION
1	11038247	2	SCR-HH M8-1.25 X 25 ZP CLASS 8.8
2	3302193	6	CLAMP - SCREW .69" to 1.5" DIA 201SS
3	3315536	3	FTG-ELBOW 90 1/2 MPT X 3/4 HB PP
4	3323501	3	FILTER-B50 MESH INLINE
5	3332264	1	FILTER ELEMENT-SERVICE
6	3400315	2	SCR-HH 10-32 X .50 ZP SERR FLANGE
7	3400384	2	WASHER-CONICAL SPRING 5/16
8	3401981	2	BLT-U 1/4-20 X3/4 ZP
9	600933	6	NUT-NYLOC M6-1.00 SS
10	711350	2	NUT-NYLOC 10-32 ZP
11	712667	4	NUT-NYLOC 1/4-20 SS
12	718007	1	VALVE, SOLENOID SOLUTION
13	718167	1	BRACKET, FILTER MNT - CYL
14	718168	1	TUBING, .75 ID X 6.88 VINYL
15	718169	1	TUBING, .75 ID X 5.63 VINYL
16	718170	1	TUBING, .75 ID X 22.00 VINYL
17	730974	1	CLAMP, CONDUIT, 1 IN
18	731214	1	SOLUTION DELIVERY BAR
19	731218	4	CLAMP - WIRE & TUBE .875 DIA STEEL
20	731378	1	BALL VALVE, 1/2 IN NPT, BRASS
21	731554	1	FTG, STR, 1/2 NPT TO 3/4 BARB, PLASTIC
22	REFERENCE	1	FRAME
23	REFERENCE	1	CYLINDRICAL SCRUB HEAD
24	REFERENCE	1	SOLUTION TANK

CONSOLE GROUP, CYLINDRICAL (714748)

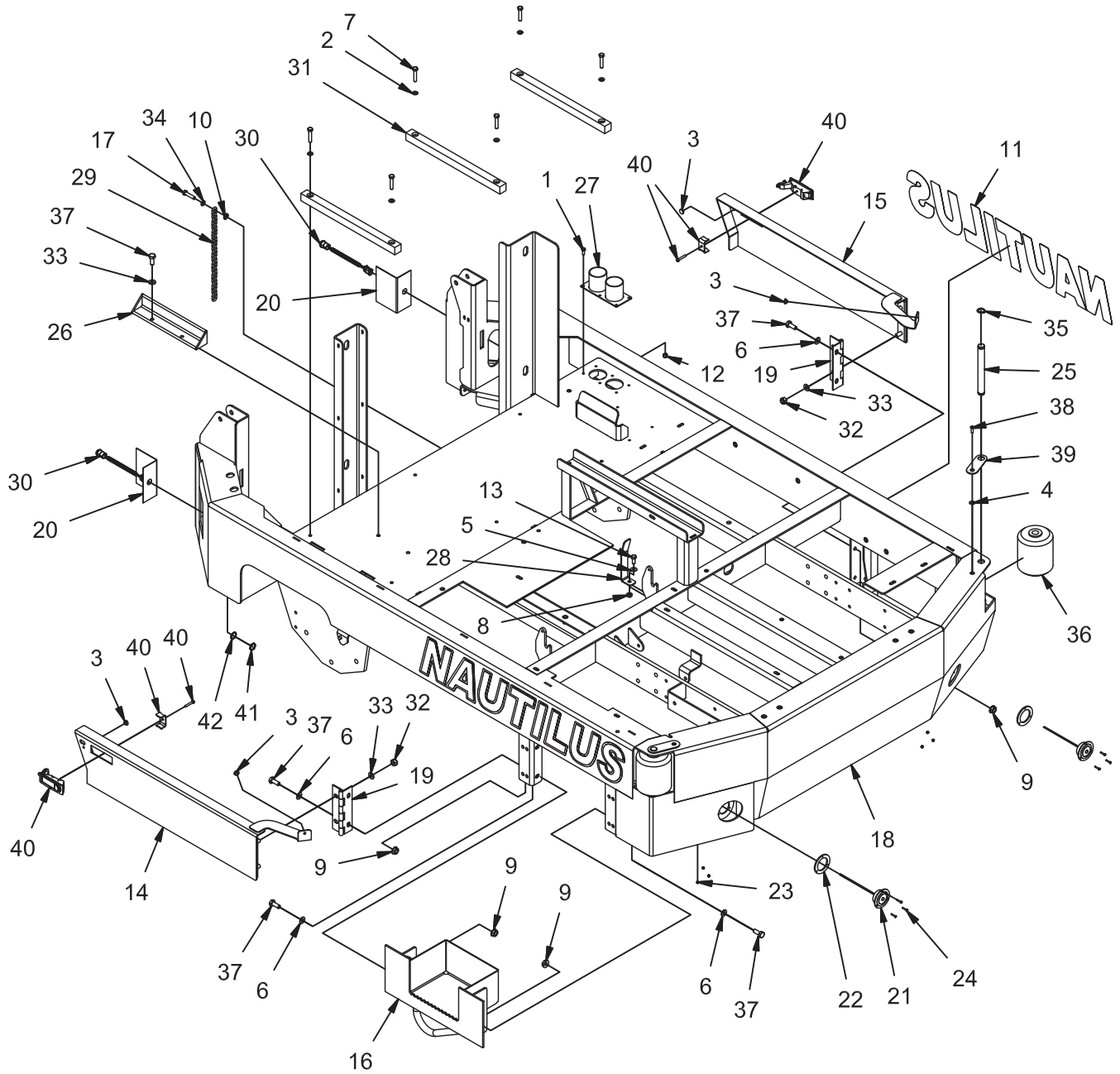


REV D

CONSOLE GROUP, CYLINDRICAL (714748)

Parts List - 714748			
ITEM	PART NO.	QTY	DESCRIPTION
1	11038072	2	SCR-HH M6-1.0 X 16 ZP CLASS 8.8
2	12040044	2	NUT-NYLOC M6 X 1.0 ZP CLASS 6
3	12310033	2	WASHER-FLAT M6.4 X 12 X 1.6 ZP
4	3400045	2	SCR-PHMS 8-32X0.62 ZP SLOT HEAD
5	3400082	2	NUT-NYLOC 8-32 ZP
6	3400103	2	WASHER-LOCK 1/4 SPLIT ZP
7	3400233	2	WASHER-FENDER 5/16 X 1.00 ZP
8	3400384	7	WASHER-CONICAL SPRING 5/16
9	3400385	2	WASHER-CONICAL SPRING 3/8
10	600125	1	CATCH, PARKING BRAKE
11	600934	7	NUT-FLANGE WIZZ M8-1.25 ZP
12	600936	2	NUT-FLANGE WIZZ M10-1.50 ZP CLASS 8
13	711563	2	NUT-WING 1/4-20 NYLON
14	713001	2	SCR-HH 1/4-20 X .62 GR 5 ZP
15	714574	1	WELDMENT, CONSOLE
16	714623-3	1	CONTROLLER, MAIN BROOM
17	717024	7	SCR-HH M8-1.25 X 20 ZP GRADE 8.8
18	718198	1	PAD, FLOOR
19	718201	1	SEAL, COVER
20	718202	1	COVER, CONTOLLER
21	718403	1	PLATE, GUARD, STEERING
22	730536	1	SEAL, BULB, 50.5 LG
23	730958	2	SCR-HH M10-1.50 X 25 SS FULL THREAD
24	731234	2	STANDOFF, PANEL, 1/4-20 X 2.00 LG ZINC
25	REFERENCE	1	FRAME

FRAME GROUP, CYLINDRICAL (714750)



REV K

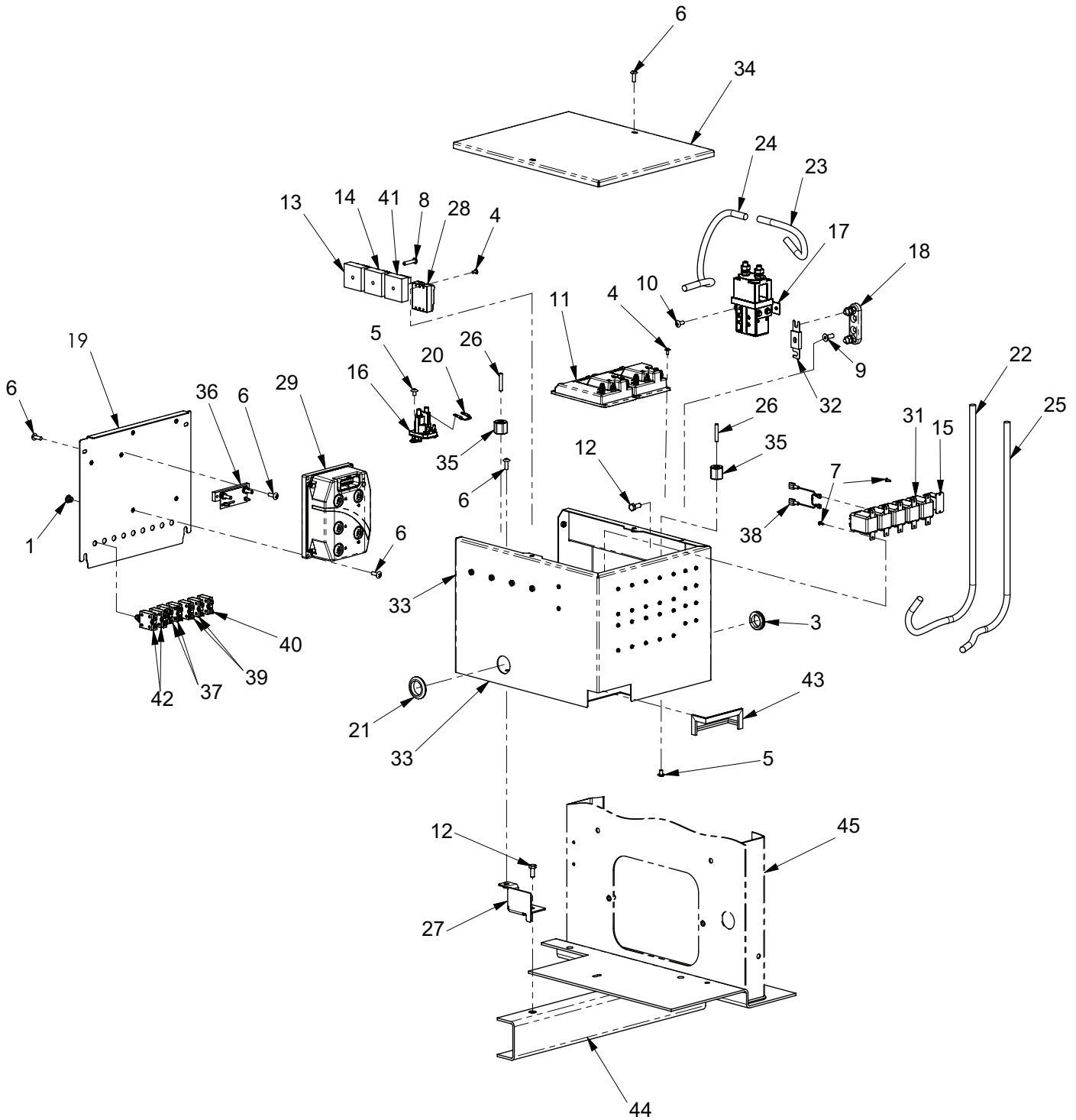
FRAME GROUP, CYLINDRICAL (714750)

Parts List - 714750			
ITEM	PART NO.	QTY	DESCRIPTION
1	11038072	6	SCR-HH M6-1.0 X 16 ZP CLASS 8.8
2	12310041	6	WASHER-FLAT M8.4 X 16 X 1.6 ZP
3	3300526	4	BUMPER-RUBBER 1/4 ID X 1/8 THK
4	3400089	2	WASHER-FLAT 1/4 ZP
5	3400384	1	WASHER-CONICAL SPRING 5/16
6	3400385	8	WASHER-CONICAL SPRING 3/8
7	600919	6	SCR-HH M8-1.25 X 40 ZP CLASS 8.8
8	600934	1	NUT-FLANGE WIZZ M8-1.25 ZP
9	600936	8	NUT-FLANGE WIZZ M10-1.50 ZP CLASS 8
10	711565	1	WASHER-EXT LOCK 5/16 ZP
11	715043	2	DECAL, NAUTILUS (ALL)
12	717018	6	NUT-NYLOC M6 X 1.0 ZP
13	717024	1	SCR-HH M8-1.25 X 20 ZP GRADE 8.8
14	718076	1	WELDMENT, RH SCRUB DOOR
15	718077	1	WELDMENT, LH SCRUB DOOR
16	718081	1	WELDMENT, STEP
17	718113	1	SCR-HH M8-1.25 X 35 SS
18	718200-1	1	ASSEMBLY, FRAME, CYLINDRICAL
19	718217	2	HINGE, SH DOOR
20	718218	2	SHIELD, TAIL LIGHT
21	718252-1	2	LIGHT ASSY, LED, 36VDC
22	718253	2	GASKET, LIGHT
23	718254	6	NUT-NYLOC M3-0.5 ZP
24	718255	6	SCR-PHMS M3-0.5 X 16 ZP
25	718320	2	PIN, .750 X 6.63
26	718384	1	WELDMENT, BRACKET, BATTERY
27	718390	1	WELDMENT, EXHAUST MANIFOLD
28	718397	1	PLATE, HARNESS GUIDE
29	718422	1	CHAIN-GROUNDING -1/0 ZP 17 LINKS
30	719440-1	2	TAIL LIGHT ASSY, INDICATOR, LED
31	719484	3	BATTERY BAR
32	730339	4	NUT-NYLOC M10-1.50 SS
33	730344	6	WASHER-FLAT M10 SS
34	730609	1	WASHER-FLAT M8 SS
35	730877	2	RET RING-EXT .750
36	730915	2	ROLLER, SUB
37	730958	10	SCR-HH M10-1.50 X 25 SS FULL THREAD
38	731382	2	SCR-FHSCS M6-1.00 X 20 ZP
39	731388	2	RETAINER, ROLLER PIN
40	731433	2	LATCH-LARGE-NAUTILUS
41	PART OF 719440-1	2	NUT
42	PART OF 719440-1	2	LOCKWASHER

INSTRUMENT PANEL GROUP, CYLINDRICAL (714751)

Parts List - 714751			
ITEM	PART NO.	QTY	DESCRIPTION
1	246123	1	SWITCH, E-STOP
2	710177	1	SCR-THMS 1/4-20 X .37 ZP
3	710204	2	SCR-PHMS 6-32 X .50 ZP
4	711319	1	NUT-HEX 5/16-18 ZP
5	711371	2	NUT-NYLOC 6-32 ZP
6	712042	1	SCR-HH 5/16-18 X.62 ZP GR 5 FLANGE
7	718184	1	DECAL, CYL INSTRUMENT PANEL
8	718337	1	DECAL, FWD-REV
9	718349	1	BATTERY GAUGE, 36V, SENDEC
10	718357	3	SWITCH, CONTURA LEFT, ON/ON
11	718358	1	SWITCH, PADDLE STYLE
12	718359	1	SWITCH, CONTURA LEFT MOMENTARY
13	718361	1	SWITCH, ON OFF
14	718375-1	1	KEYSWITCH ASSY, SCRUB MASTER 45
15	719116	1	THREADED ROD .25-20X1.5
16	719164	1	HORN, 36V
17	719440-2	2	LIGHT ASSY, INDICATOR, RED LED
18	740132	1	INSULATOR (ELECTRICAL)- 1/4-20 INSERT
19	742749	12	CIRCUIT BREAKER, HOLE PLUG
20	743049	1	GAUGE-PRESSURE BRUSH 200
21	748537-20	1	POT ASSY, SOLUTION CONTROL
22	749073	1	SWITCH-HORN W/HARNESS
23	3323529	5	PLUG-CARLING CONTURA SWITCH
24	3336094	1	GAUGE-HOURMETER DIGITAL
25	3344038	2	COVER-SWITCH ROCKER BLACK NO LENS
26	3344039	1	COVER-SWITCH ROCKER GREEN NO LENS
27	3400071	1	NUT-HEX 1/4-20 ZP GR 5
28	3400088	1	WASHER-FLAT 5/16 X.688 X .065 ZP
29	REFERENCE	1	CONSOLE

ELECTRICAL BOX GROUP, CYLINDRICAL (719168)



REV J

ELECTRICAL BOX GROUP, CYLINDRICAL (719168)

Parts List - 719168			
ITEM	PART NO.	QTY	DESCRIPTION
1	172407	2	PLUG, 7/16 HOLE COVER
2	210466	60 IN	CONDUIT- SPLIT .875 ID
3	220327	1	GROMMET 1.25 X 1 X .125
4	710025	10	SCR-THMS 8-32 X 3/8 SS
5	710177	4	SCR-THMS 1/4-20 X .37 ZP
6	710180	13	SCR-THMS 1/4-20 X .75 ZP
7	710203	12	SCR-PHMS 6-32 X .37 ZP
8	710383	3	SCR-RHMS 1/4-20 X 1.25 ZP
9	712006	2	SCR-FHSCS 5/16-18 X 7/8 ZP
10	712565	2	SCR-THMS 1/4-20 X .62 SS
11	714623-1	2	CONTROLLER, BRUSH MOTOR, CYLINDRICAL
12	717024	3	SCR-HH M8-1.25 X 20 ZP GRADE 8.8
13	718346-2	1	TIMER, SQUEEGEE
14	718346-3	1	TIMER, VACUUM MOTOR
15	718350	1	RELAY, MOTOR CONTROLLER
16	718353	1	CONTACTOR, VAC MOTOR, 36V
17	718364	1	CONTACTOR, MAIN
18	719094	1	FUSE HOLDER
19	718430	1	WELDMENT, RIGHT PANEL
20	719106	1	DIODE ASY, IN40007 W/#10 RING
21	719109	1	GROMMET 1.25ID .06GRV 1.50D HOLE RBR
22	719112	1	CABLE - BATTERY POSITIVE
23	719113	1	CABLE - CONTACTOR TO FUSE
24	719114	1	CABLE - CONTACTOR TO STANDOFF
25	719115	1	CABLE - BATTERY NEGATIVE
26	719116	2	THREADED ROD .25-20X1.5
27	719119	1	WELDMENT, SUPPORT BRACKET E-BOX
28	719129	1	RELAY, 3.5 – 32VDC CNTL, 100VDC 7A LD,SS
29	719138	1	CONTROLLER, DRIVE
30	719139	1	ELECTRICAL WIRES GROUP, CYLINDRICAL
31	719181	5	RELAY, 36 VDC 15A

CONTINUED ON NEXT PAGE

Parts List - 719168			
ITEM	PART NO.	QTY	DESCRIPTION
32	719419	1	FUSE, 300A
33	718432	1	WELDMENT, ELECTRICAL BOX
34	719523	1	ELECTRICAL BOX COVER
35	740132	2	INSULATOR (ELECTRICAL)- 1/4-20 INSERT
36	740134-1	1	SHUNT-W/O WIRES
37	740247	2	CIRCUIT BREAKER-30AMP PUSH BUTTON
38	740498	5	DIODE ASSY, IN4001 W/LEADS
39	741400	2	CIRCUIT BREAKER 10A PUSH BUTTON
40	746006	1	CIRCUIT BREAKER-3.0AMP PUSH BUTTON
41	748537	1	TIMER-RELAY 24V, 10 SEC, 10A CONTACT
42	748904	2	CIRCUIT BREAKER 40 AMP
43	3500118	1	EDGING-VINYL TRIM 1/8" X 250'
44	REFERENCE	1	FRAME
45	REFERENCE	1	SEAT BACK PANEL

MAIN CYLINDRICAL BRUSHES

ITEM	QTY	PART NUMBER
718292	2	BRUSH-CYL 45" BLACK POLY
718293	2	BRUSH-CYL 45" 70/46 GRIT ORANGE
718294	2	BRUSH-CYL 45" 50/80 GRIT BLACK
718295	2	BRUSH-CYL 45" NYLON
719533	2	BRUSH-CYL 45" 180 GRIT (STANDARD)
719534	2	BRUSH-CYL 45" BLACK POLY, SOFT

OPTIONAL SIDE BRUSH

ITEM	QTY	PART NUMBER
719581	1	BRUSH-SCRUB 80 GRIT
719582	1	BRUSH-SCRUB 120 GRIT
719583	1	BRUSH-SCRUB 180 GRIT
719584	1	BRUSH-SCRUB POLY

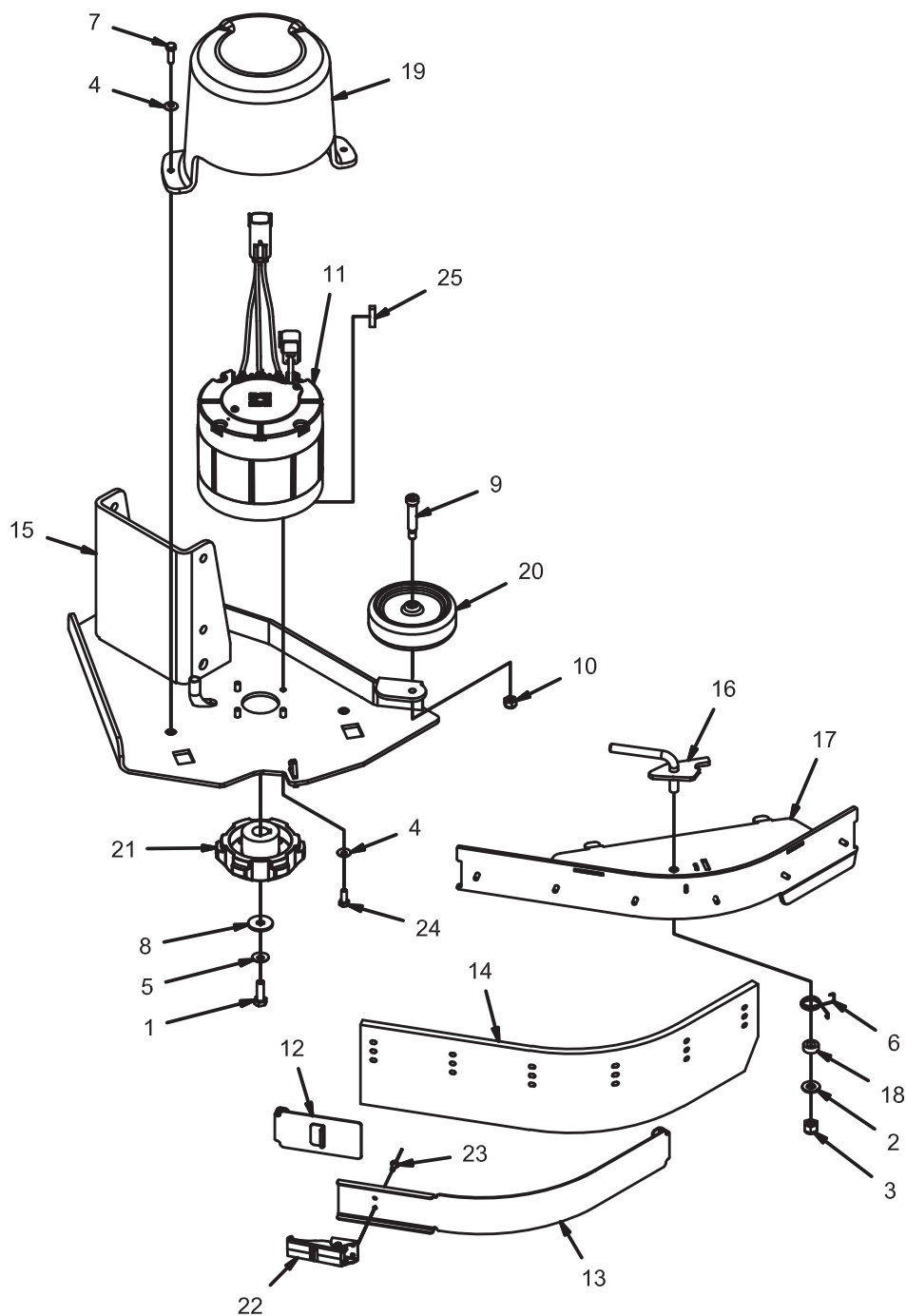
BATTERIES AND CHARGERS

BATTERY / CHARGER	
ITEM	PART NUMBER
956760	BATTERY, INDUSTRIAL 36V- 750 AH EXIDE (STANDARD)
957707	CHARGER, THREE PHASE, 208/240/480 (STANDARD)
719186	OPT-NO BATTERY OR CHARGER
719187	OPT-840AH BATTERY UPGRADE
719188	OPT-840AH BATTERY/OPPORTUNITY CHARGER UPGRADE
719189	OPT-LITHIUM BATTERY/OPPORTUNITY CHARGER UPGRADE

OPTIONS - PARTS BREAKDOWN

OPTION - SIDE SCRUB GROUP, CYLINDRICAL (718365)

SIDE SCRUB AND SQUEEGEE GROUP (714729)

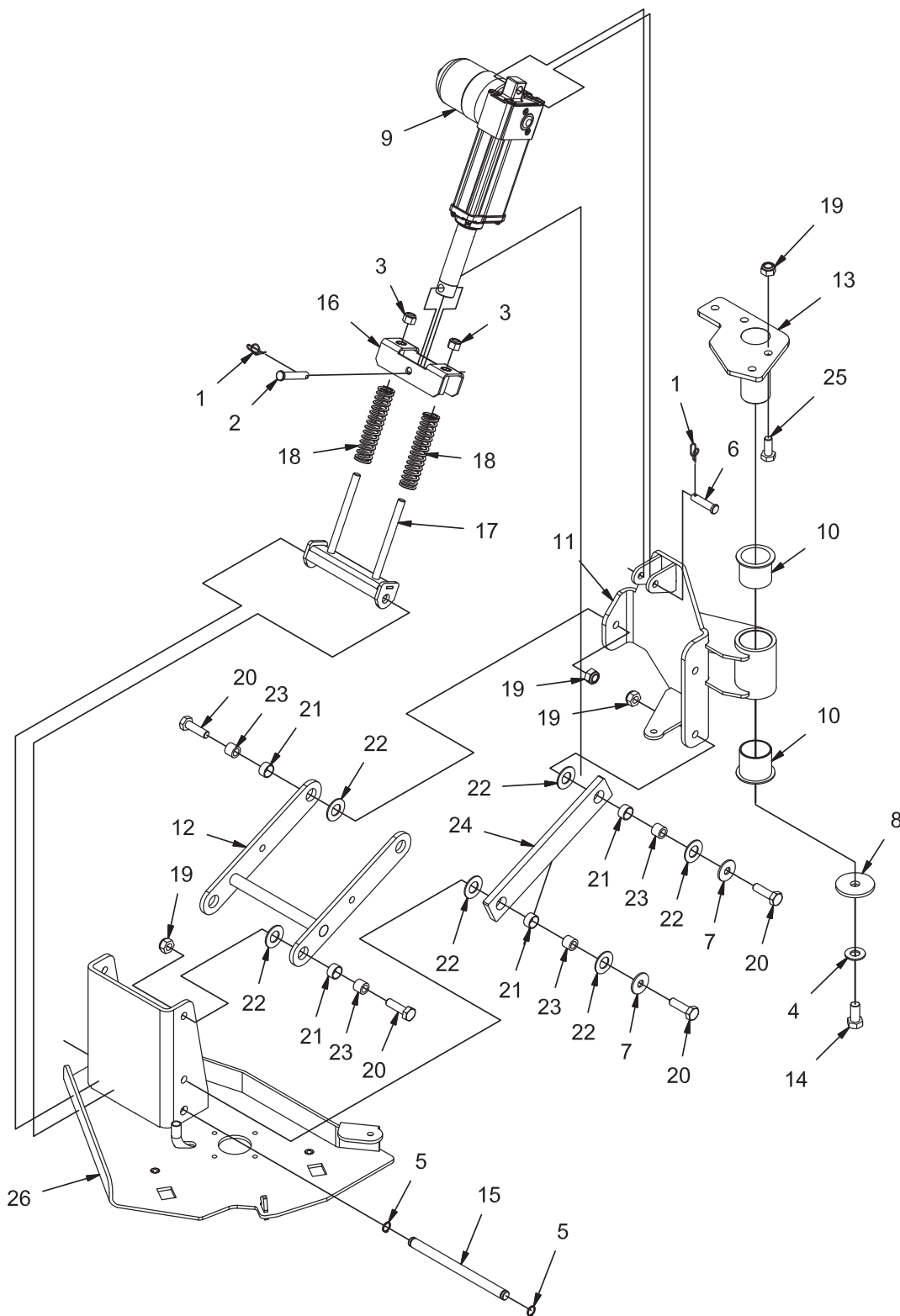


REV D

SIDE SCRUB AND SQUEEGEE GROUP (714729)

Parts List - 714729			
ITEM	PART NO.	QTY	DESCRIPTION
1	11039567	1	SCR-HH M8-1.25 X 25 SS
2	3400087	1	WASHER-FLAT 3/8 ZP
3	3400340	1	NUT-NYLOC 3/8-16 SS
4	3400383	6	WASHER-CONICAL SPRING 1/4
5	3400384	1	WASHER-CONICAL SPRING 5/16
6	600809	1	SPRING TORSION
7	600913	2	SCR-HH M6-1.00 X 20 SS
8	711855	1	WASHER-FENDER 3/8 X 1.12 X .10 ZP HARD
9	712091	1	BLT-SHOULDER 3/8 X 1.50 LG ZP
10	712683	1	NUT-NYLOC 5/16-18 SS
11	718002	1	MOTOR, DISC SCRUB BRUSH
12	718054	1	WELDMENT, SSB REAR RET
13	718055	1	SSB SQU RETAINER
14	718056	1	SQUEEGEE, SSB BLADE LINATEX
15	718060-1	1	ASSEMBLY, SSB BASE
16	718061	1	WELDMENT, SSB LATCH
17	718062	1	WELDMENT, SSB SQU MNT
18	718069	1	SPACER .377 B .700 OD .28 T
19	718072-1	1	COVER, SSB MOTOR
20	718345	1	WHEEL, 4" X 1.25"
21	719542	1	DRIVER, SCRUB BRUSH
22	730652	1	LATCH, UNDER CENTER
23	730654	2	RIVET-BLIND 5/32 .125 GRIP SS
24	730934	4	SCR-HH M6-1.00 X 16 SS FULL THREAD
25	833621	1	KEY-1/4 X 1/4 X 1

SIDE SCRUB LIFT GROUP, CYLINDRICAL (714730)

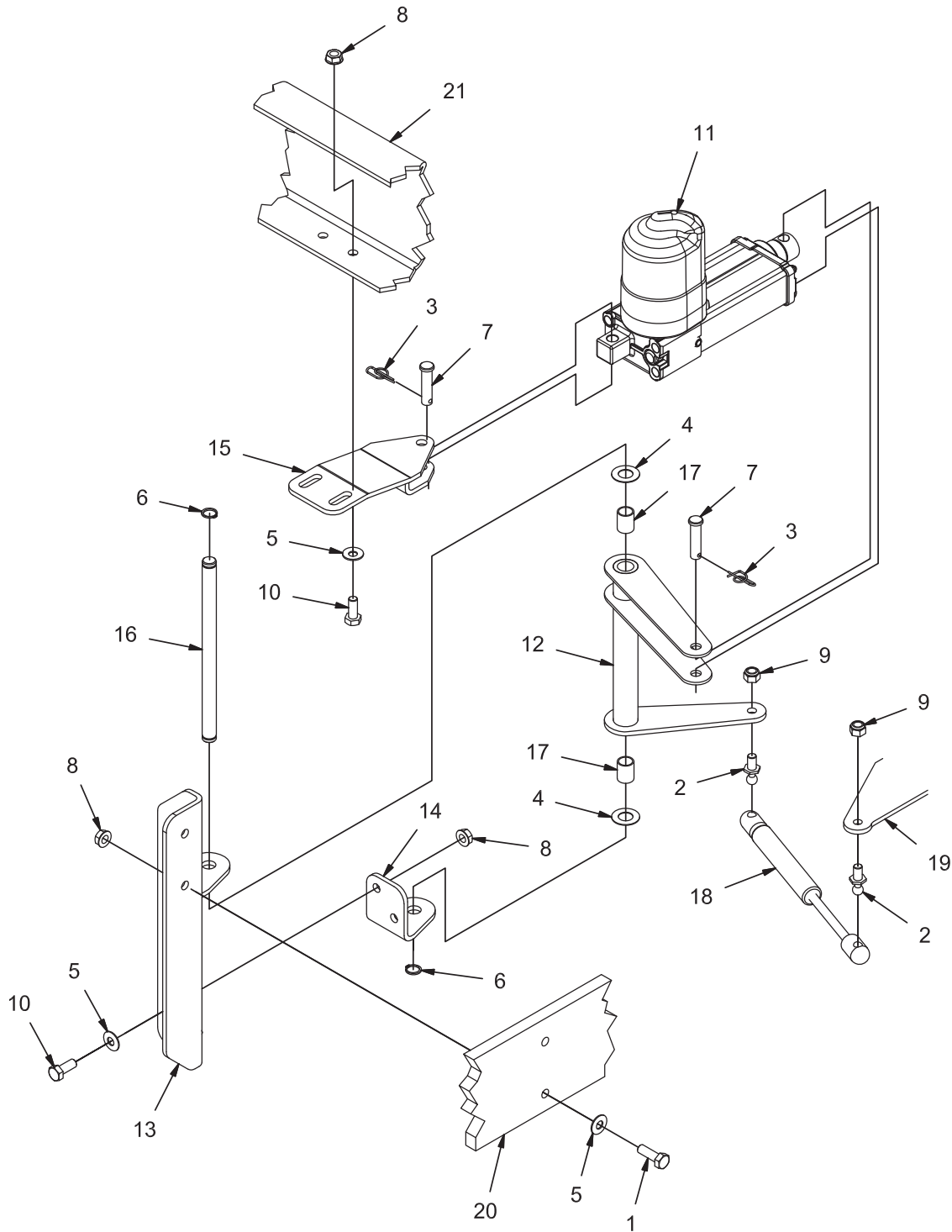


REV D

SIDE SCRUB LIFT GROUP, CYLINDRICAL (714730)

Parts List - 714730			
ITEM	PART NO.	QTY	DESCRIPTION
1	3400125	2	RING-RUE 3/8
2	3400266	1	PIN-CLEVIS 3/8 X 2.00 ZP
3	3400340	2	NUT-NYLOC 3/8-16 SS
4	3400387	1	WASHER-CONICAL SPRING 1/2
5	600569	2	RET RING-EXT .50 HD
6	600573	1	PIN-CLEVIS 3/8 X 1.50 ZP
7	717040	2	WASHER-FLAT M10.5 X 30 X 2.5 SS
8	718015	1	WASHER, .484 B 2.00 OD .179 T
9	718047-1	1	ACTUATOR ASSY, SIDE BROOM
10	718057	2	BEARING, FIBERGLIDE, 1.500 B 1.656 OD 1.
11	718058	1	WELDMENT, SSB PIVOT
12	718059	1	WELDMENT, SSB ARM
13	718148	1	WELDMENT, SSB PIVOT
14	718150	1	SCR-HH M12-1.75 X 25 FULL THREAD SS
15	718321	1	PIN, .500 X 6.88 ZP
16	719553	1	WELDMENT, SPRING CAP
17	719555	1	WELDMENT, SPRING BASE
18	719557	2	SPRING, COMP
19	730339	10	NUT-NYLOC M10-1.50 SS
20	730345	6	SCR-HH M10-1.50 X 35 SS
21	730646	6	BEARING, DU, .63B .72OD .38T
22	730647	8	WASHER, THRUST, .66B 1.25OD .06T
23	730648	6	SPACER, .406 X .624OD .515T SS
24	730926-1	1	SSB LINK, PAINTED
25	730958	4	SCR-HH M10-1.50 X 25 SS FULL THREAD
26	REFERENCE	1	SSB BASE

SIDE SCRUB SHIFT GROUP (714731)

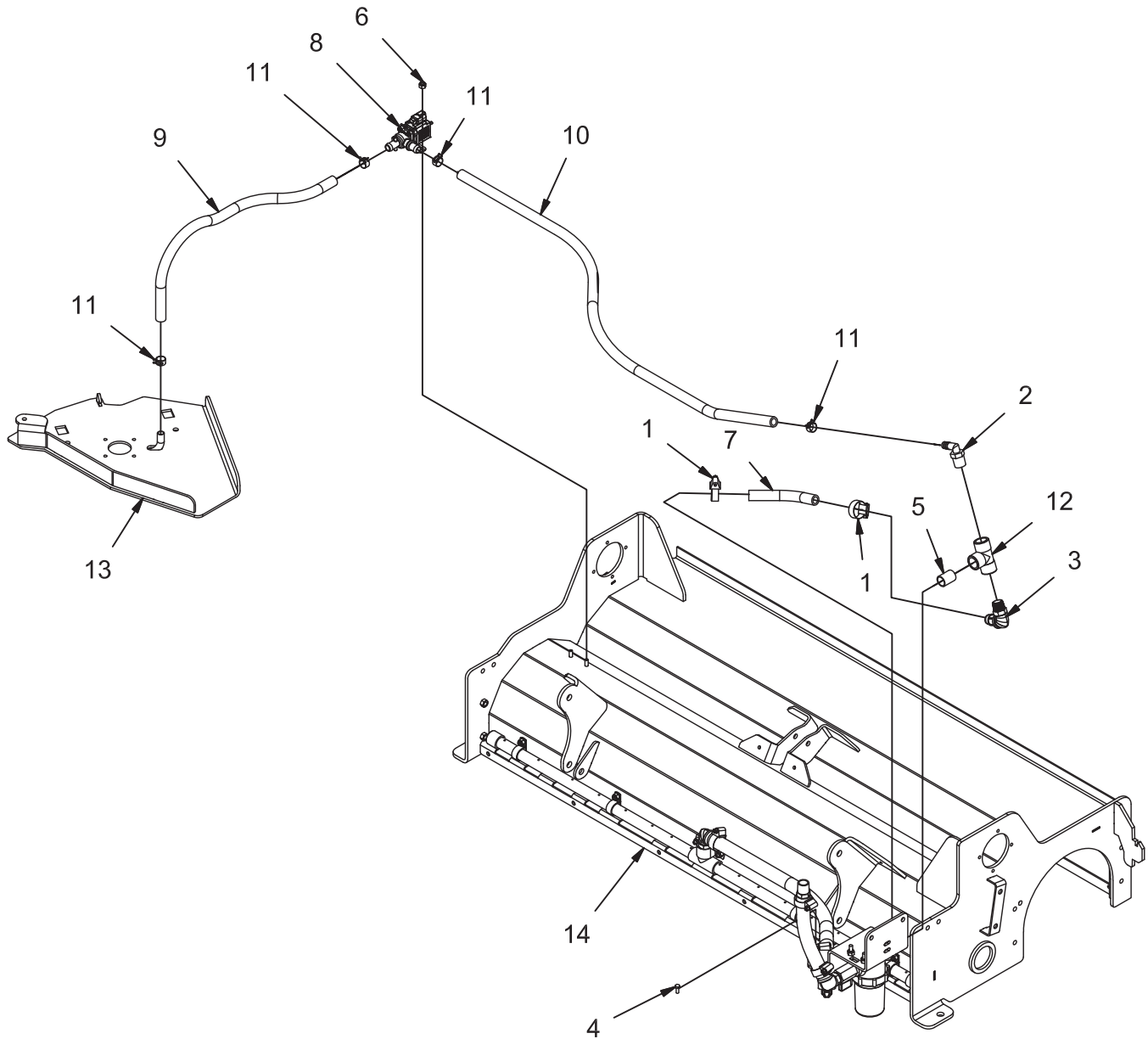


REV C

SIDE SCRUB SHIFT GROUP (714731)

Parts List - 714731			
ITEM	PART NO.	QTY	DESCRIPTION
1	11039567	2	SCR-HH M8-1.25 X 25 SS
2	3300376	2	STUD-BALL GAS SPR 5/16-18 THRD .391DIA.
3	3400125	2	RING-RUE 3/8
4	3400178	2	BEARING-THRUST .531 ID X 1.00 OD
5	3400384	6	WASHER-CONICAL SPRING 5/16
6	600569	2	RET RING-EXT .50 HD
7	600573	2	PIN-CLEVIS 3/8 X 1.50 ZP
8	600934	6	NUT-FLANGE WIZZ M8-1.25 ZP
9	712683	2	NUT-NYLOC 5/16-18 SS
10	717030	4	SCR-HH M8-1.25 X 20 SS
11	718047-1	1	ACTUATOR ASSY, SIDE BROOM
12	718063	1	WELDMENT, BELLCRANK
13	718064	1	WELDMENT, BELLCRANK MNT
14	718065	1	BRACKET, PIVOT
15	718066	1	WELDMENT, SWING ACT MNT
16	718074	1	SHAFT, PIVOT
17	730752	2	FIBERGLIDE BEARING, .50 ID, .375 T
18	730902	1	GAS STRUT, 8.77 EXT X 3.00 STK, 200N
19	REFERENCE	1	SSB PIVOT
20	REFERENCE	1	FRAME
21	REFERENCE	1	FRAME

SIDE SCRUB SOLUTION CONT GROUP - CYL (714744)

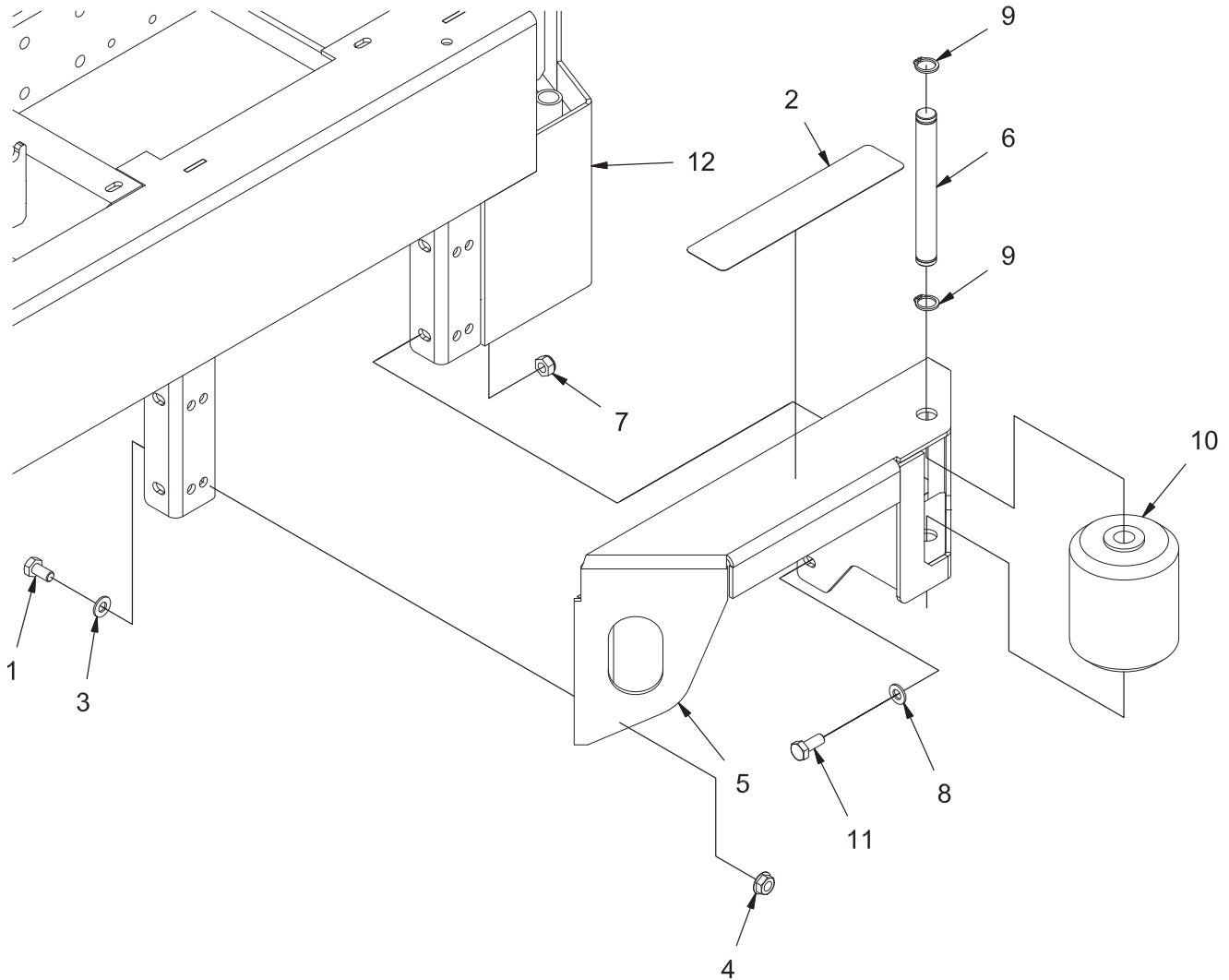


REV B

SIDE SCRUB SOLUTION CONT GROUP - CYL (714744)

Parts List - 714744			
ITEM	PART NO.	QTY	DESCRIPTION
1	3302193	6	CLAMP - SCREW .69" to 1.5" DIA 201SS
2	3315535	1	FTG-ELBOW 90 1/2 MPT X 1/2 HB PP
3	3315536	2	FTG-ELBOW 90 1/2 MPT X 3/4 HB PP
4	3400315	2	SCR-HH 10-32 X .50 ZP SERR FLANGE
5	383465	1	FTG-NIPPLE 1/2 MPT X 1-1/8 LG BRASS
6	600933	8	NUT-NYLOC M6-1.00 SS
7	718169	1	TUBING, .75 ID X 5.63 VINYL
8	718175	1	SOLENOID SOLUTION VALVE 36VDC
9	718177	1	TUBING, .50 ID X XX.XX VINYL
10	718338	1	TUBING, .50 ID REIN VINYL
11	730962	4	CLAMP - UNICLAMP .650 DIA MAGNI 565
12	730966	1	FTG-TEE FEMALE 1/2 NPT X 1/2 X 1/2 PVC
13	REFERENCE	1	SIDE SCRUB BRUSH BASE
14	REFERENCE	1	SCRUB HEAD

SIDE SCRUB GUARD GROUP - CYLINDRICAL (714769)



REV C

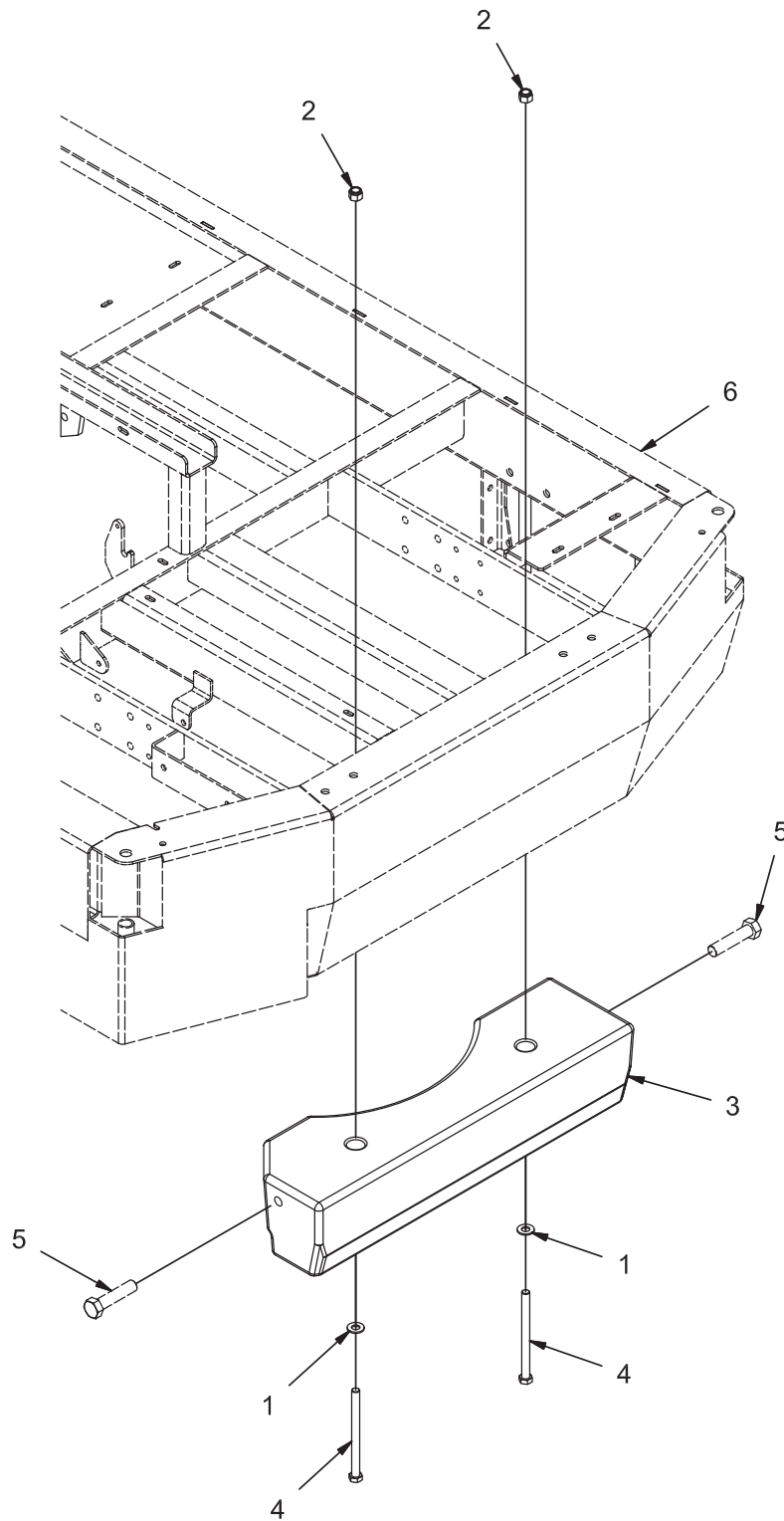
SIDE SCRUB GUARD GROUP - CYLINDRICAL (714769)

Parts List -			
ITEM	PART NO.	QTY	DESCRIPTION
1	11038353	2	SCR-HH M10-1.5 X 20 ZD CLASS 8.8
2	3335609	1	PAD, STEP
3	3400385	2	WASHER-CONICAL SPRING 3/8
4	600936	2	NUT-FLANGE WIZZ M10-1.50 ZP CLASS 8
5	718147	1	WELDMENT, SSB STEP
6	718320	1	PIN, .750 X 6.63
7	730339	2	NUT-NYLOC M10-1.50 SS
8	730344	2	WASHER-FLAT M10 SS
9	730877	2	RET RING-EXT .750
10	730915	1	ROLLER, SUB
11	730958	2	SCR-HH M10-1.50 X 25 SS FULL THREAD
12	REFERENCE	1	FRAME

OPTION - OVERHEAD GUARD GROUP (714301)

Parts List - 714301			
ITEM	PART NO.	QTY	DESCRIPTION
1	11038098	2	SCR-HH M6-1.0 X 20 ZP CLASS 8.8 DIN
2	11038346	2	SCR-HH M10-1.5 X 25 ZD CLASS 8.8
3	12040044	2	NUT-NYLOC M6 X 1.0 ZP CLASS 6
4	12040069	6	NUT-NYLOC M10 X 1.5 ZD CLASS 6
5	12310033	2	WASHER-FLAT M6.4 X 12 X 1.6 ZP
6	12310058	6	WASHER-FLAT M10.5 X 20 X 2 ZP
7	3401051	4	SCR-HH M10-1.5 X 30 SS
8	718141	1	WELDMENT, OHG, RH
9	718185	1	BRACKET, OHG
10	718284	1	WEDGE
11	718323	1	EDGING, 3/16 X 21.13
12	718324	1	EDGING, 3/16 X 6.00
13	718322	1	INSULATION, SOUND, OHG TOP
14	731028	2	PLUG, TUBING
15	REFERENCE	1	FRAME
16	REFERENCE	1	FRAME
17	REFERENCE	1	CONSOLE

OPTION - COUNTERWEIGHT GROUP (714746)

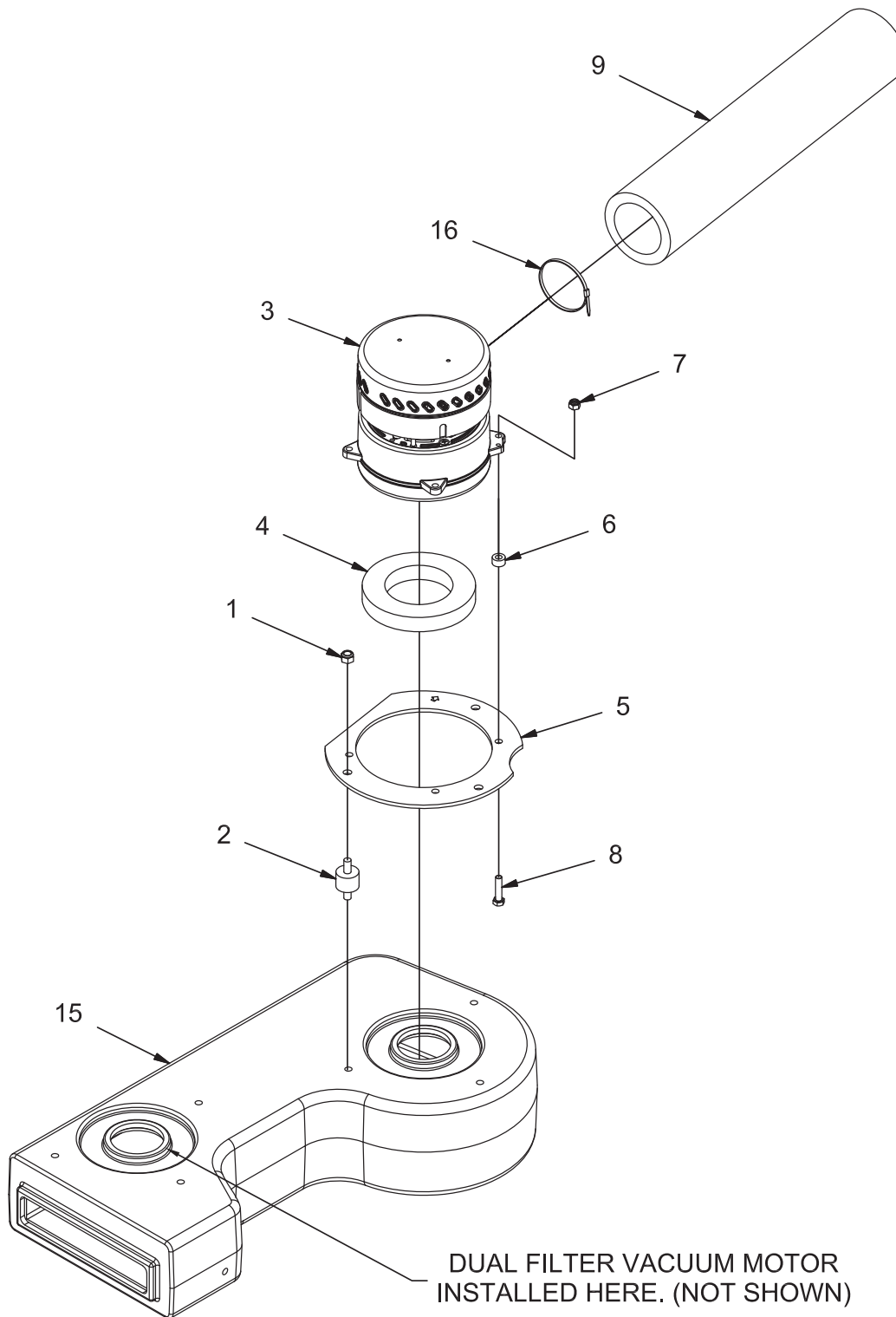


REV A

OPTION - COUNTERWEIGHT GROUP (714746)

Parts List - 714746			
ITEM	PART NO.	QTY	DESCRIPTION
1	3400086	2	WASHER-FLAT 1/2 ZP
2	711376	2	NUT-NYLOC 1/2-13 ZP
3	718196-1	1	COUNTERWEIGHT
4	718197	2	SCR-HH 1/2-13 X 6.5 GR5 ZP
5	600932	2	SCR-HH 3/4-10 X 3.25 ZP GR 5
6	REFERENCE	1	FRAME

OPTION - DUAL HOPPER VAC MOTOR GROUP (714756)

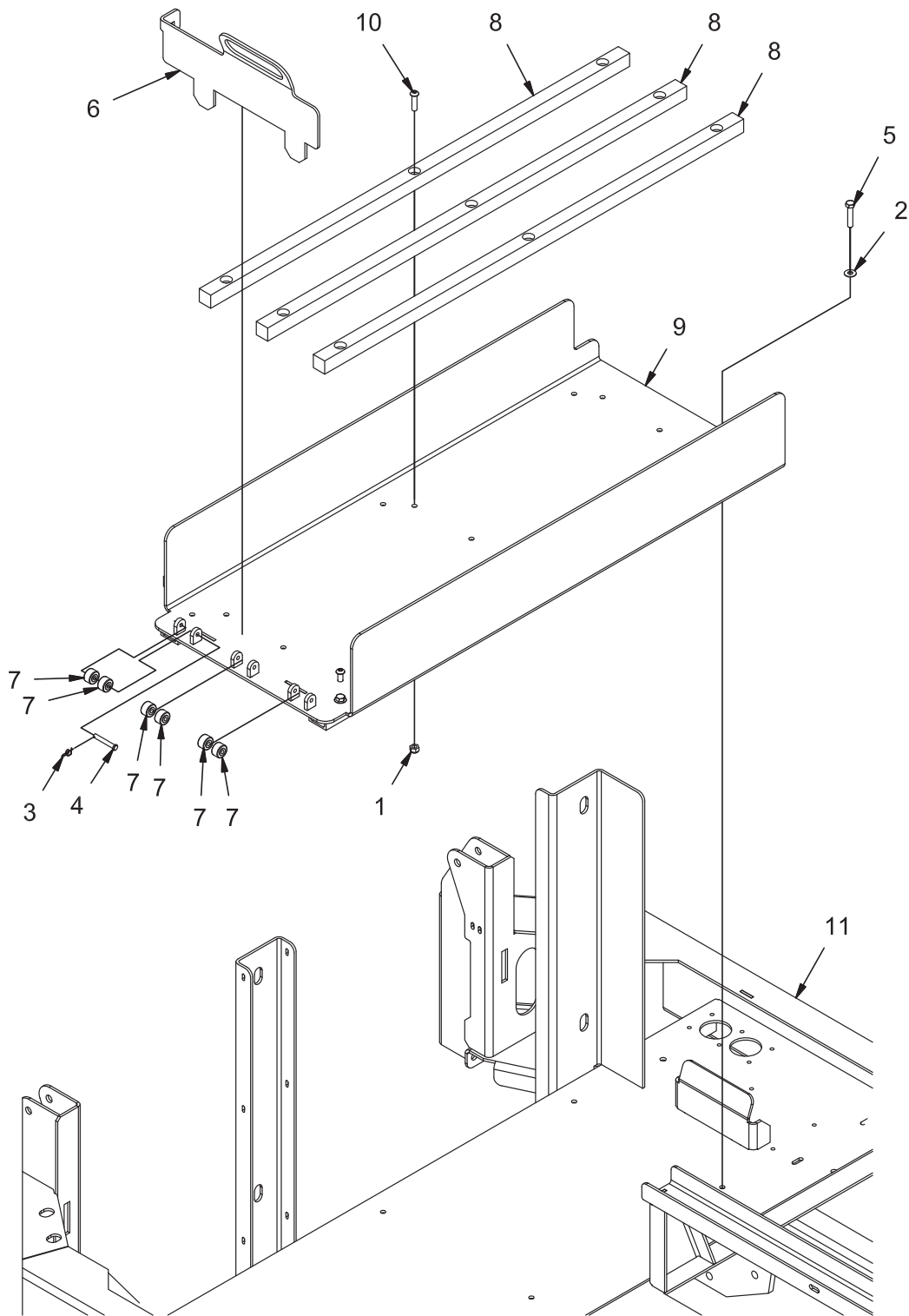


REV C

OPTION - DUAL HOPPER VAC MOTOR GROUP (714756)

Parts List - 714756			
ITEM	PART NO.	QTY	DESCRIPTION
1	12040259	3	NUT-NYLOC M8 X 1.25 SS
2	718103	3	ISOLATOR, VAC MOTOR
3	718220-1	1	MOTOR, VACUUM, 36VDC
4	718224	1	GASKET, VACUUM MOTOR
5	718225	1	MOUNT, VAC MOTOR
6	718271	3	SPACER .295 B .563 OD .313 L
7	718272	3	NUT-NYLOC M7-1.0 ZP
8	718273	3	SCR-HH M7-1.0 X 30 ZP
9	718304	1	MUFFLER, VAC EXHAUST
10	719218	1	WIRE ASSY, FILTER VACUUM PWR (NOT SHOWN)
11	719595	1	HARNESS, DUAL FILTER VACUUM (NOT SHOWN)
12	742748	1	CIRCUIT BREAKER-BOOT (NOT SHOWN)
13	748904	1	CIRCUIT BREAKER 40 AMP (NOT SHOWN)
14	748946	1	QC5, WIRE JUNCTION (NOT SHOWN)
15	REFERENCE	1	VACUUM PLENTUM
16	REFERENCE	1	TIE, NYLON, 3"

OPTION - BATTERY ROLL OUT GROUP (714767)

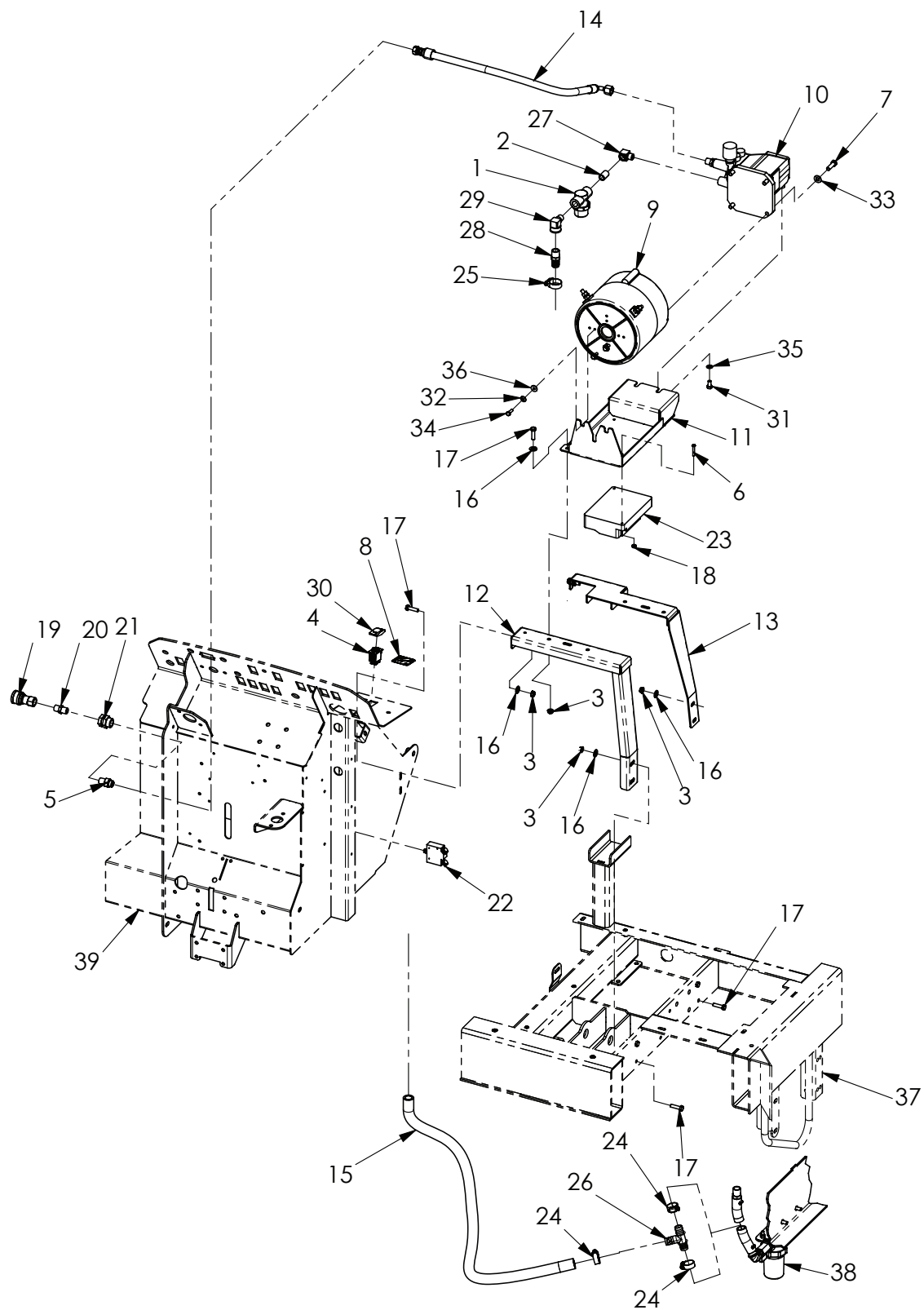


REV B

OPTION - BATTERY ROLL OUT GROUP (714767)

Parts List - 714767			
ITEM	PART NO.	QTY	DESCRIPTION
1	12040259	9	NUT-NYLOC M8 X 1.25 SS
2	3400384	6	WASHER-CONICAL SPRING 5/16
3	3400742	3	RING-RUE 1/4 ZP
4	3400806	3	PIN-CLEVIS 1/4 X 2.00 ZP
5	717037	6	SCR-HH M8-1.25 X 40 SS
6	718313	1	RETAINER, BATTERY
7	718314	6	BEARING-BALL .875 OD .250 ID .50 T
8	718315	3	RUNNER
9	718316	1	WELDMENT, BATT ROLL OUT
10	770536	9	SCR-BHSCS M8-1.25 X 30 SS
11	REFERENCE	1	FRAME

OPTION - PRESSURE WASHER - PART ONE (719504)

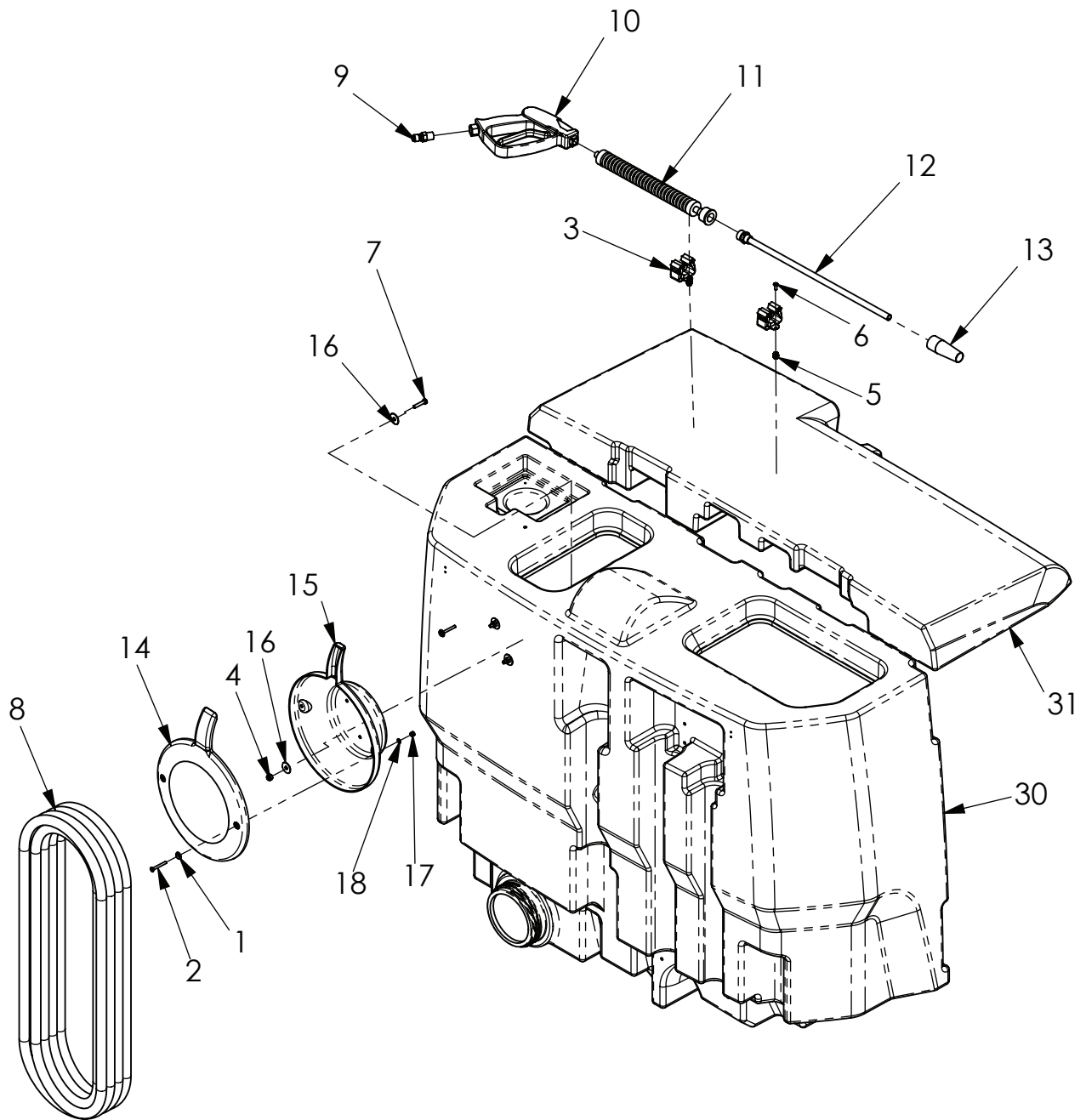


REV A

OPTION - PRESSURE WASHER - PART ONE (719504)

Parts List - 719504			
ITEM	PART NO.	QTY	DESCRIPTION
1	173158	1	IN-LINE FILTER ASSEMBLY, 3/8 FNPT
2	383332	1	FTG-NIPPLE 3/8 MPT BRASS
3	600934	9	NUT-FLANGE WIZZ M8-1.25 ZP
4	620137	1	SWITCH BASE, ROCKER WITH GREEN LAMP
5	675634	1	FTG-ORFS STR THD -6 MPT -6 ORFS SS
6	710362	2	SCR-RHMS 10-32 X 1.25 ZP
7	713043	4	SCR-HH 3/8-16 X 1.25 PLAIN GR 5
8	715970	1	DECAL, WASH SWITCH
9	719193	1	MOTOR, ELE, 48VDC, 2200RPM
10	719194	1	PUMP, PRESSURE WASHER
11	719195	1	WELDMENT, BRACKET MOTOR PUMP
12	719200	1	WELDMENT, FRONT RISER
13	719203	1	WELDMENT, REAR RISER
14	719593	1	HOSE, 6 STR – 6 BSP 90, 28L, MED SS ENDS
15	719594	1	TUBING, .75 ID X 3' WIRE RE HOSE
16	730344	9	WASHER-FLAT M10 SS
17	730506	9	SCR-HH M8-1.25 X 30 SS
18	731242	2	NUT-NYLOC 10-32 18-8 SS
19	731441	1	FTG-QUICK DISCONNECT 3/8 FPT SS
20	731618	1	FTG-HEX NIPPLE, 3/8 NPT, SS
21	731619	1	FTG-3/8 ANCHOR COUPLING W/NUT
22	743917	1	BREAKER CIRCUIT 100A 72VDC THERMAL- MAGN
23	747400	1	I-DRIVE, 180 AMP
24	3300535	3	CLAMP - SCREW .5" to 1.25" DIA 201SS
25	3302193	1	CLAMP - SCREW .69" to 1.5" DIA 201SS
26	3302950	1	FTG- TEE 3/4 HB X 3/4 HB X 3/4 HB PP
27	3320551	1	FTG-ELBOW 90 ST 3/8 MPT X 3/8 FPT BRASS
28	3320728	1	FTG-1/2 MPT - 3/4 HB
29	3339916	1	FTG - 90 3/8 MPT - 1/2 FPT
30	3342273	1	COVER-SWITCH, CARLING, BLACK W/LENS
31	3400291	2	SCR-HH M8-1.25 X 16 ZP CLASS 8.8
32	3400383	3	WASHER-CONICAL SPRING 1/4
33	3400385	4	WASHER-CONICAL SPRING 3/8
34	11038098	3	SCR-HH M6-1.0 X 20 ZP CLASS 8.8 DIN
35	12310041	2	WASHER-FLAT M8.4 X 16 X 1.6 ZP
36	12332011	3	WASHER-FLAT M6.4 X 18 X 1.6 ZP
37	REFERENCE	1	FRAME
38	REFERENCE	1	SOLUTION DELIVERY
39	REFERENCE	1	CONSOLE

OPTION - PRESSURE WASHER - PART TWO (719504)

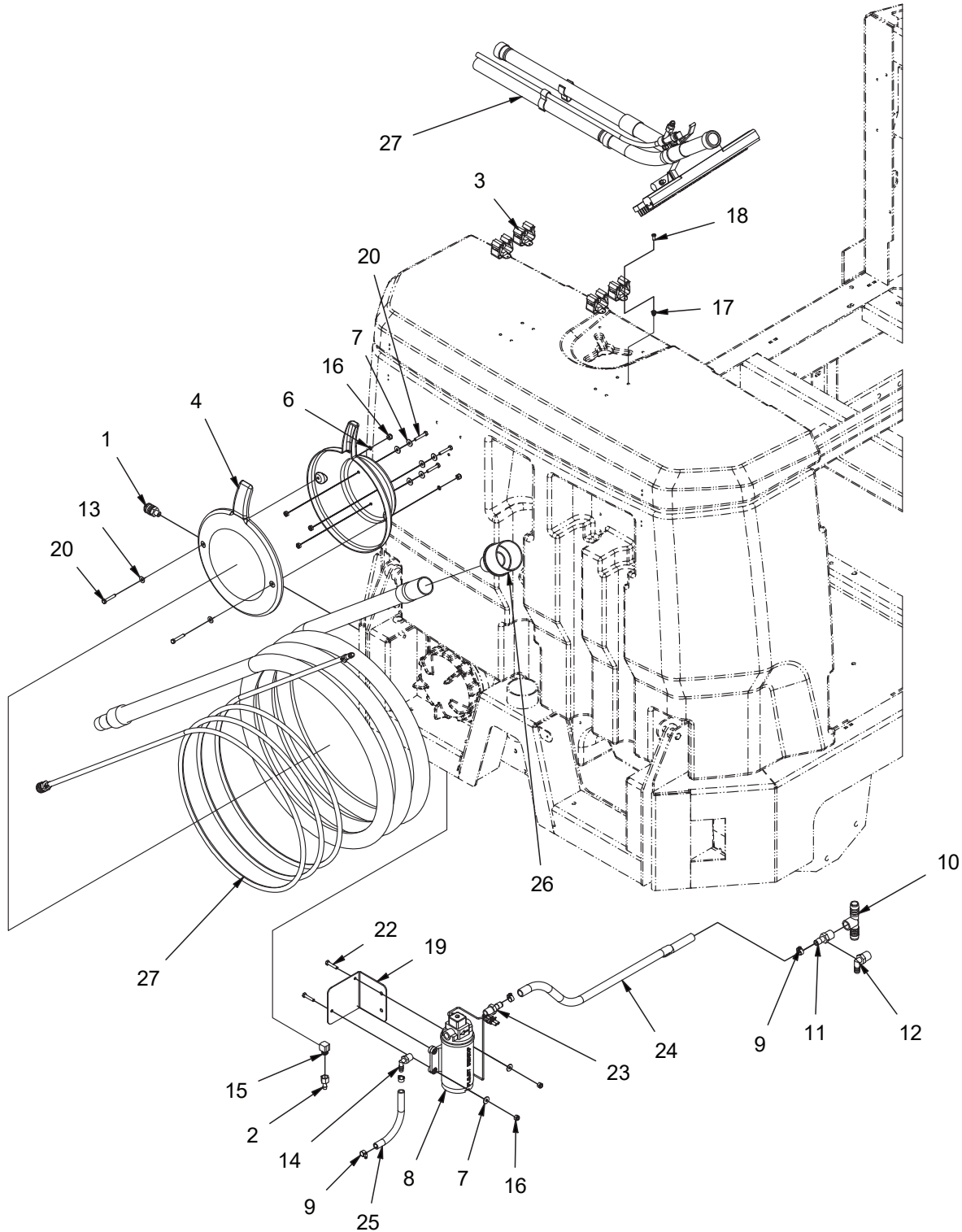


REV A

OPTION - PRESSURE WASHER - PART TWO (719504)

Parts List - 719504			
ITEM	PART NO.	QTY	DESCRIPTION
1	00076210	2	WASHER
2	00523440	2	SCREW, FLAT HD
3	00560010	2	CLAMP
4	600933	3	NUT-NYLOC M6-1.00 SS
5	711470	4	INSERT-10-24 X .437 EZ LOCK
6	712811	4	SCR-RHMS 10-24 X .50 ZP
7	731050	3	SCR-HH M6-1.00 X 30 SS
8	731440	1	HOSE, PRESSURE WASHER, 50FT
9	731443	1	QUICK DISCONNECT, PLUG, 6MPT
10	731444	1	TRIGGER GUN
11	731445	1	INSULATED LANCE
12	731446	1	LANCE
13	731447	1	TIP, ADJUSTABLE
14	01090890	1	HOSE MOUNT, COVER
15	01090900	1	HOSE MOUNT, HALF SHELL
16	3401052	6	WASHER-FENDER 1/4 X 1.00 SS
17	12040036	2	NUT-NYLOC M5 X 0.8 ZD CLASS 6
18	12310025	2	WSR-FLT M5.3 X 10 X 1 STL 140HV ZD DIN 1
19	719181	2	RELAY, 36 VDC 15A (NOT SHOWN)
20	740498	21	DIODE ASSY, IN4001 W/LEADS (NOT SHOWN)
21	719219	1	WIRE ASSY, CB POWER (NOT SHOWN)
22	719220	1	WIRE ASSY, I-DRIVE POWER (NOT SHOWN)
23	719221	1	WIRE ASSY, I-DRIVE GROUND (NOT SHOWN)
24	719222	1	WIRE ASSY, PW MOTOR POWER (NOT SHOWN)
25	719223	1	WIRE ASSY, PW MOTOR GROUND (NOT SHOWN)
26	719224	1	HARN ASSY, I-DRIVE CONT CONTROL (NOT SHOWN)
27	719225	1	WIRE ASSY, YELLOW, 18 AWG (NOT SHOWN)
28	719226	1	WIRE ASSY, BLU/WHT, 18 AWG (NOT SHOWN)
29	719227	1	WIRE ASSY, BLACK, 18 AWG (NOT SHOWN)
30	REFERENCE	1	RECOVERY TANK
31	REFERENCE	1	BATTERY COVER

OPTION - VACUUM WAND (719517)

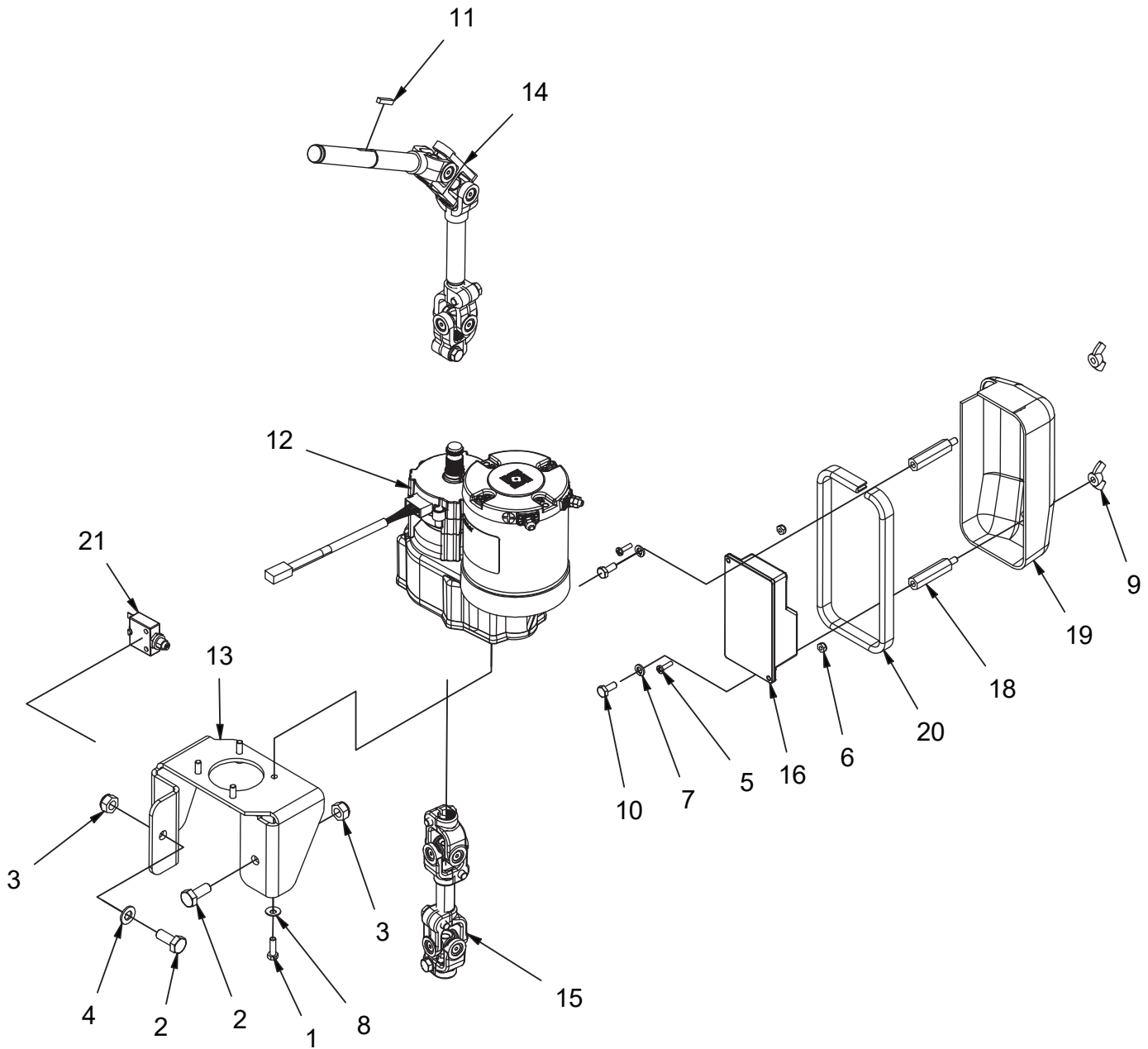


REV A

OPTION - VACUUM WAND (719517)

Parts List - 719517			
ITEM	PART NO.	QTY	DESCRIPTION
1	552590	1	QUICK HITCH
2	552600	1	HOSE NIPPLE
3	560010	4	CLAMP
4	1090890	1	HOSE MOUNT, COVER
5	1090900	1	HOSE MOUNT, HALF SHELL
6	12310025	2	WSR-FLT M5.3 X 10 X 1 STL 140HV ZD DIN 1
7	12332011	8	WASHER-FLAT M6.4 X 18 X 1.6 ZP
8	283052-2	1	ASSY, VACUUM WAND PUMP
9	3302338	4	CLAMP - SCREW .25" to .625" DIA 301SS
10	3303354	1	FTG-3/4 X3/4 X 1/2 BRANCH TEE
11	3315534	1	FTG-ADAPTER 1/2 MPT X 1/2 HB PP
12	3315535	1	FTG-ELBOW 90 1/2 MPT X 1/2 HB PP
13	3400089	2	WASHER-FLAT 1/4 ZP
14	3400985	1	FTG-ELBOW 90 3/8 MPT X 3/8 HB PP
15	3401681	1	FTG-ELBOW 90 1/4 FPT X 1/4 MPT BRASS
16	600933	4	NUT-NYLOC M6-1.00 SS
17	711470	8	INSERT-10-24 X .437 EZ LOCK
18	712811	8	SCR-RHMS 10-24 X .50 ZP
19	718411	1	PLATE, PUMP MNT, ANGLE
20	730508	5	SCR-HH M6-1.00 X 35 FULL THREAD SS
21	730653	3	NUT-HEX M6-1.00 SS
22	731050	2	SCR-HH M6-1.00 X 30 SS
23	731094	1	FTG-ADAPTER 3/8 MPT X 1/2 HB PLASTIC
24	731095	1	TUBING, 1/2 ID, VINYL X 6'
25	731096	1	TUBING, 3/8 ID, VINYL X 1'
26	731098	1	ADAPTER, HOSE
	99700910B	1	SPRAY- AND VACUUM TOOL
	620178	0.3	BULK VELCRO STRAP
	718288	1	HARNESS, VACUUM WAND
	718361	1	SWITCH, ON OFF
	719181	1	RELAY, 36 VDC 15A
	740498	1	DIODE ASSY, IN4001 W/LEADS
	741400	1	CIRCUIT BREAKER 10A PUSH BUTTON
	749026	1	DIODE ASSEMBLY

OPTION - POWER STEERING, CYLINDRICAL (719518)

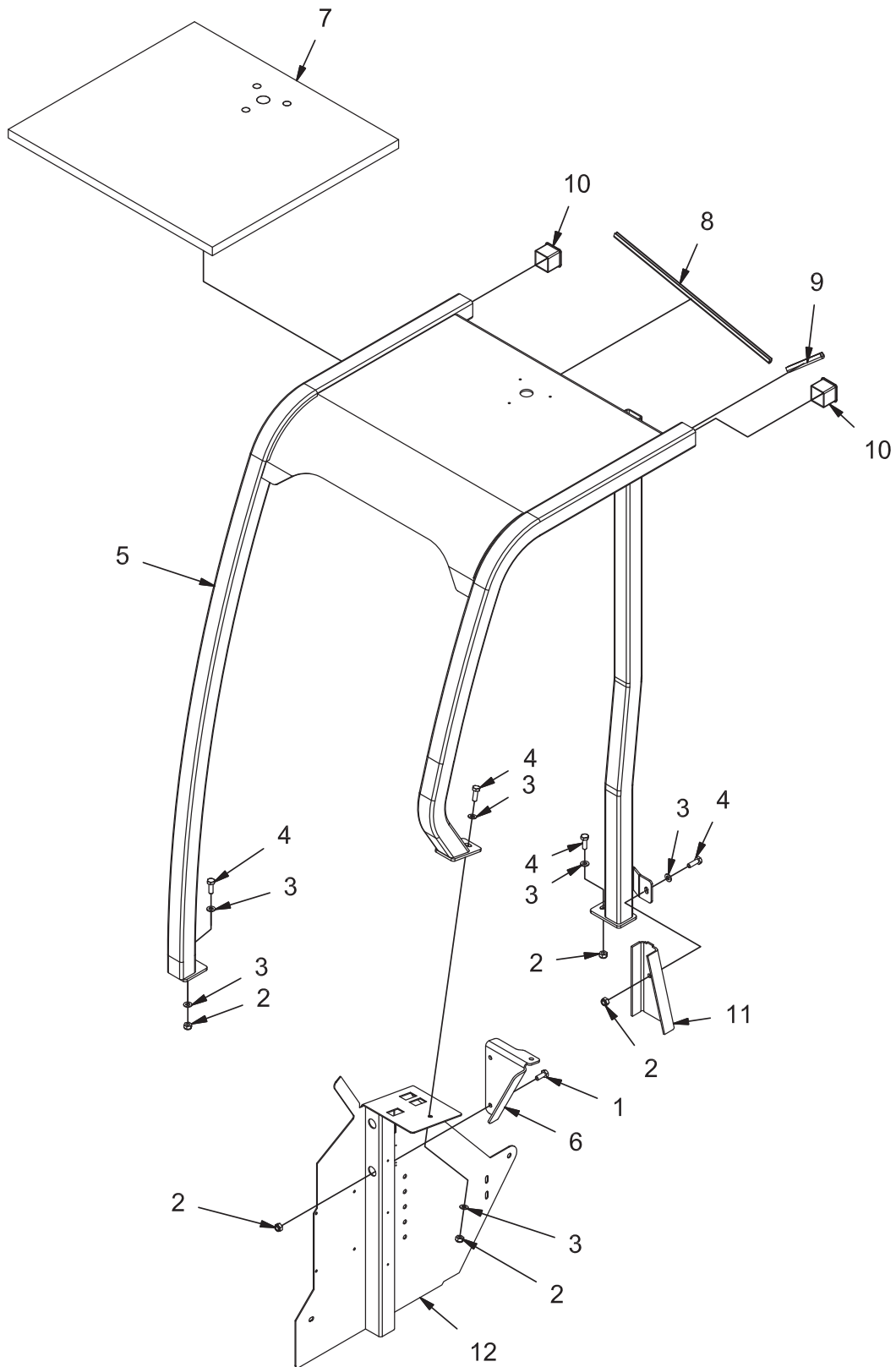


REV B

OPTION - POWER STEERING, CYLINDRICAL (719518)

Parts List - 719518			
ITEM	PART NO.	QTY	DESCRIPTION
1	11038098	4	SCR-HH M6-1.0 X 20 ZP CLASS 8.8 DIN
2	11038346	2	SCR-HH M10-1.5 X 25 ZD CLASS 8.8
3	12040069	2	NUT-NYLOC M10 X 1.5 ZD CLASS 6
4	12310058	1	WASHER-FLAT M10.5 X 20 X 2 ZP
5	3400045	2	SCR-PHMS 8-32X0.62 ZP SLOT HEAD
6	3400082	2	NUT-NYLOC 8-32 ZP
7	3400103	2	WASHER-LOCK 1/4 SPLIT ZP
8	3400383	4	WASHER-CONICAL SPRING 1/4
9	711563	2	NUT-WING 1/4-20 NYLON
10	713001	2	SCR-HH 1/4-20 X .62 GR 5 ZP
11	714581	2	KEY .188 SQ X .875
12	718117	1	POWER STEERING UNIT
13	718136-1	1	WELDMENT, PS MNT
14	718153	1	STEERING SHAFT, POWER, UPPER
15	718154	1	STEERING SHAFT, POWER, LOWER
16	718203	1	CONTROLLER, STEERING
17	718399	1	HARNESS, POWER STEERING
18	731234	2	STANDOFF, PANEL, 1/4-20 X 2.00 LG ZINC
19	731275	1	COVER, TIMER/CONTROLLER
20	731276	1	SEAL, TIMER/CONTROLLER
21	740247	1	CIRCUIT BREAKER-30AMP PUSH BUTTON
***	719161	1	WIRE ASSY, RED, 10 AWG (NOT SHOWN)
***	719213	1	WIRE ASSY, RED, 10 AWG (NOT SHOWN)
***	742748	1	CIRCUIT BREAKER-BOOT (NOT SHOWN)

OPTION - OVERHEAD GUARD GROUP, CYLINDRICAL (719525)

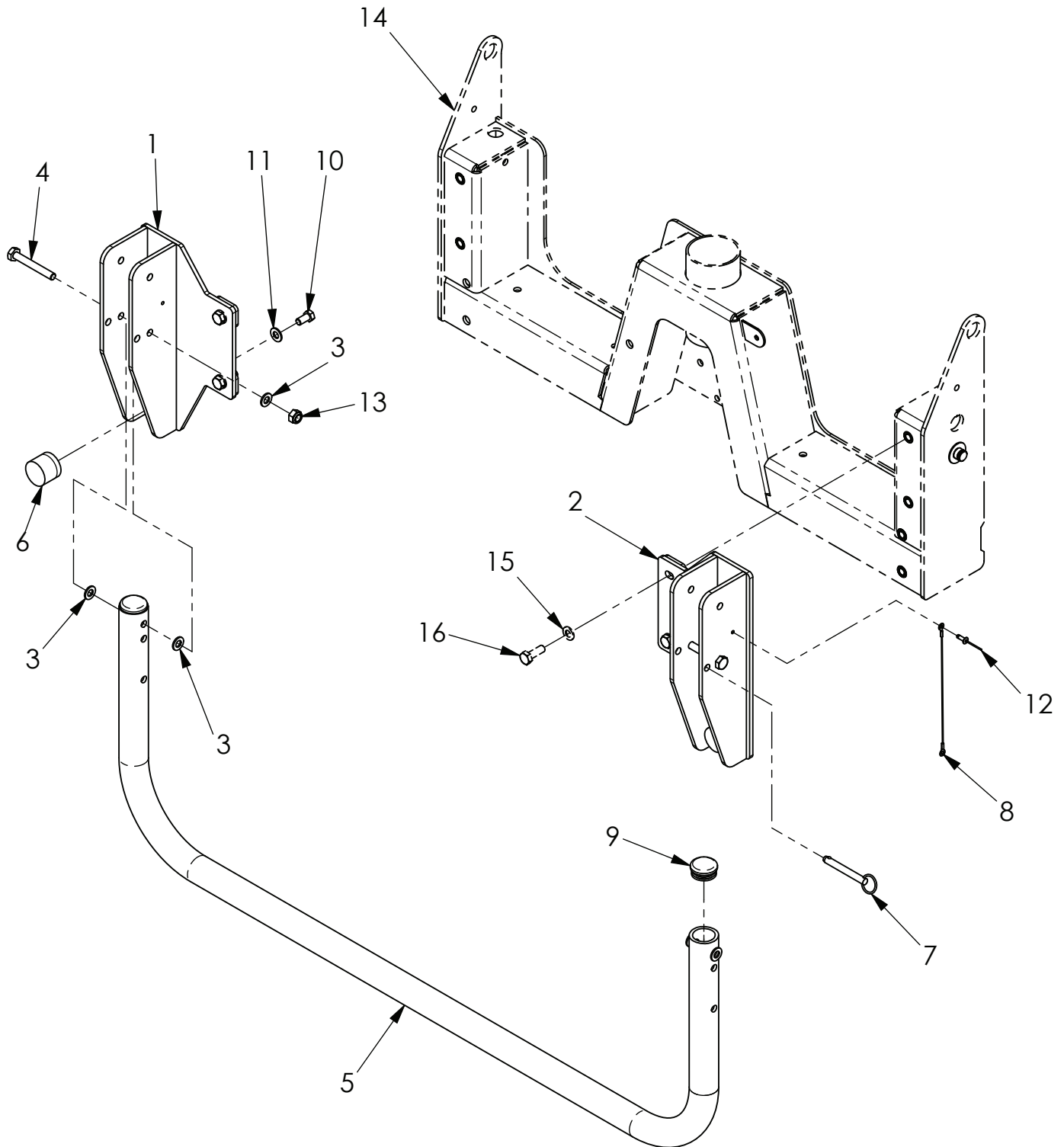


REV A

OPTION - OVERHEAD GUARD GROUP, CYLINDRICAL (719525)

Parts List - 719525			
ITEM	PART NO.	QTY	DESCRIPTION
1	11038346	2	SCR-HH M10-1.5 X 25 ZD CLASS 8.8
2	12040069	6	NUT-NYLOC M10 X 1.5 ZD CLASS 6
3	12310058	6	WASHER-FLAT M10.5 X 20 X 2 ZP
4	3401051	4	SCR-HH M10-1.5 X 30 SS
5	718141	1	WELDMENT, OHG, RH
6	718185	1	BRACKET, OHG
7	718322	1	INSULATION, SOUND, OHG TOP
8	718323	1	EDGING, 3/16 X 21.13
9	718324	1	EDGING, 3/16 X 6.00
10	731028	2	PLUG, TUBING
11	REFERENCE	1	FRAME
12	REFERENCE	1	CONSOLE

OPTION - REAR SQUEEGEE GUARD GROUP (719545)

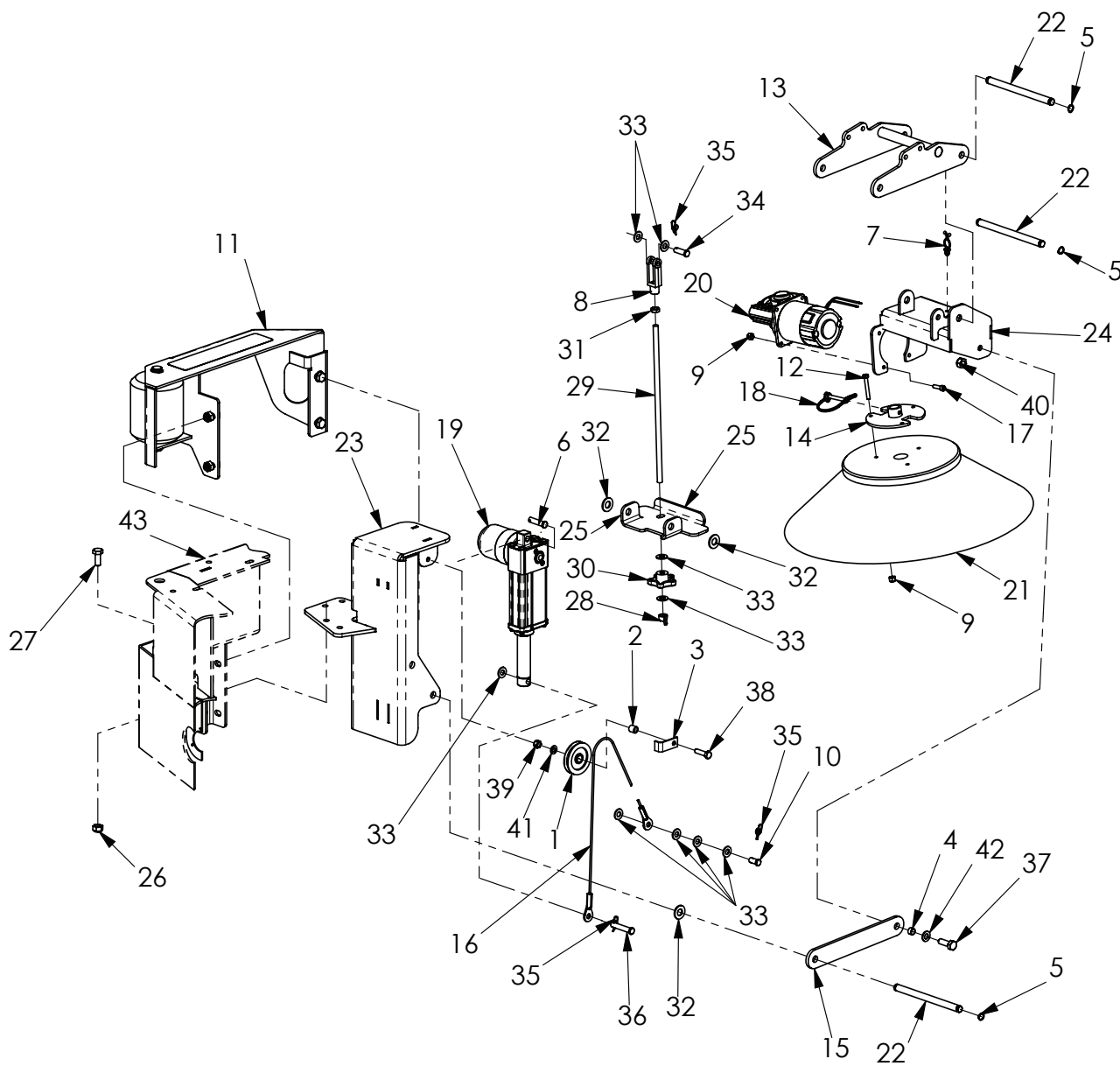


REV B

OPTION - REAR SQUEEGEE GUARD GROUP (719545)

Parts List - 719545			
ITEM	PART NO.	QTY	DESCRIPTION
1	719546	1	WELDMENT, GUARD MOUNT, LH
2	719547	1	WELDMENT, GUARD MOUNT, RH
3	730344	6	WASHER-FLAT M10 SS
4	731462	2	SCR-HH M10-1.50 X 75 PARTIAL THRD 8.8 ZP
5	731488	1	TUBE, GUARD
6	731492	2	BUMPER, URETHANE
7	731493	1	PIN, CLEVIS .375, BALL DETENT
8	731501	1	LANYARD
9	731502	2	PLUG, HOLE, 1.25
10	3400335	2	SCR-HH 3/8-16 X .75 SS
11	3400385	2	WASHER-CONICAL SPRING 3/8
12	3400484	1	RIVET-AVDEL 3/16 X .602
13	12040069	2	NUT-NYLOC M10 X 1.5 ZD CLASS 6
14	REFERENCE	1	REAR BUMPER
15	REFERENCE	4	WASHER, FLAT, M10 SS
16	REFERENCE	4	SCREW, HH M10-1.50 X 30 SS

OPTION - SIDE BROOM GROUP - CYLINDRICAL (719559)



REV D

OPTION - SIDE BROOM GROUP - CYLINDRICAL (719559)

Parts List - 719559			
ITEM	PART NO.	QTY	DESCRIPTION
1	600113	1	PULLEY, .50 B 2.00 D .44T
2	600114	1	SPACER, .328 B .498 OD .500 ,SS
3	600115	1	RETAINER, CABLE, ZP
4	600327	1	SPACER 0.406 B 0.50 OD 0.375 T
5	600569	6	RET RING-EXT .50 HD
6	600573	1	PIN-CLEVIS 3/8 X 1.50 ZP
7	600581	1	CLAMP WIRE CLIP, PURSE-LOCK .60
8	600813	1	CLEVIS 3/8-24
9	600933	7	NUT-NYLOC M6-1.00 SS
10	711679	1	PIN-CLEVIS 3/8 X .750 ZP
11	714769	1	SIDE SCRUB GUARD - CYLINDRICAL
12	718009	3	SCR-HH M6-1.0 X 45 SS
13	718026	1	WELDMENT, SB TRAILING ARM
14	718027	1	WELDMENT, SB HUB
15	718028	1	ARM, TRAILING
16	718041	1	CABLE
17	718042	4	SCR-SHCS M6-1.0 X 22 SS
18	718045	1	PIN, LOCKING, .25
19	718047-1	1	ACTUATOR ASSY, SIDE BROOM
20	718050-1	1	MOTOR ASSY, SIDE BRUSH RH
21	718053	1	Broom, Curb 19" Poly
22	718321	3	PIN, .500 X 6.88 ZP
23	719560	1	WELDMENT, SB LIFT
24	719564	1	WELDMENT, SB, MOTOR MNT
25	719570	1	CHANNEL, SB ADJUSTMENT
26	730339	4	NUT-NYLOC M10-1.50 SS
27	730958	4	SCR-HH M10-1.50 X 25 SS FULL THREAD
28	731277	1	NUT-WING 3/8-24 NYLON
29	731284	1	ROD, SB ADJUSTMENT

*****CONTINUED ON NEXT PAGE*****

Parts List - 719559			
ITEM	PART NO.	QTY	DESCRIPTION
30	731291	1	KNOB, 3/8-24
31	3400075	1	NUT-JAM 3/8-24 ZP
32	3400086	3	WASHER-FLAT 1/2 ZP
33	3400087	9	WASHER-FLAT 3/8 ZP
34	3400117	1	PIN-CLEVIS 3/8 x 1.125 ZP
35	3400125	4	RING-RUE 3/8
36	3400266	1	PIN-CLEVIS 3/8 X 2.00 ZP
37	3401051	1	SCR-HH M10-1.5 X 30 SS
38	11038254	1	SCR-HH M8-1.25 X 30 ZP CLASS 8.8
39	12040051	1	NUT-NYLOC M8 X 1.25 ZP CLASS 8
40	12040069	1	NUT-NYLOC M10 X 1.5 ZD CLASS 6
41	12310041	1	WASHER-FLAT M8.4 X 16 X 1.6 ZP
42	12310058	1	WASHER-FLAT M10.5 X 20 X 2 ZP
43	REFERENCE	1	FRAME
44	718361	1	SWITCH, ON OFF (NOT SHOWN)
45	719144	2	WIRE ASSY, SCRUB POWER (NOT SHOWN)
46	719156	1	WIRE ASSY, SIDE BROOM SWITCH (NOT SHOWN)
47	719157	1	WIRE ASSY, SIDE BROOM GROUND (NOT SHOWN)
48	719158	1	HARNESS, SIDE BROOM CONTROL (NOT SHOWN)
49	719159	1	HARNESS, SIDE BROOM CYL (NOT SHOWN)
50	719181	2	RELAY, 36 VDC 15A (NOT SHOWN)
51	719461	1	WIRE ASSY, CKT BKR POWER (NOT SHOWN)
52	740498	2	DIODE ASSY, IN4001 W/LEADS (NOT SHOWN)
53	742350	1	CIRCUIT BREAKER- 6.0AMP PUSH BUTTON (NOT SHOWN)
54	742748	2	CIRCUIT BREAKER-BOOT (NOT SHOWN)
55	747609	1	CIRCUIT BREAKER-4.0AMP PUSH BUTTON (NOT SHOWN)
56	3344038	1	COVER-SWITCH ROCKER BLACK NO LENS (NOT SHOWN)

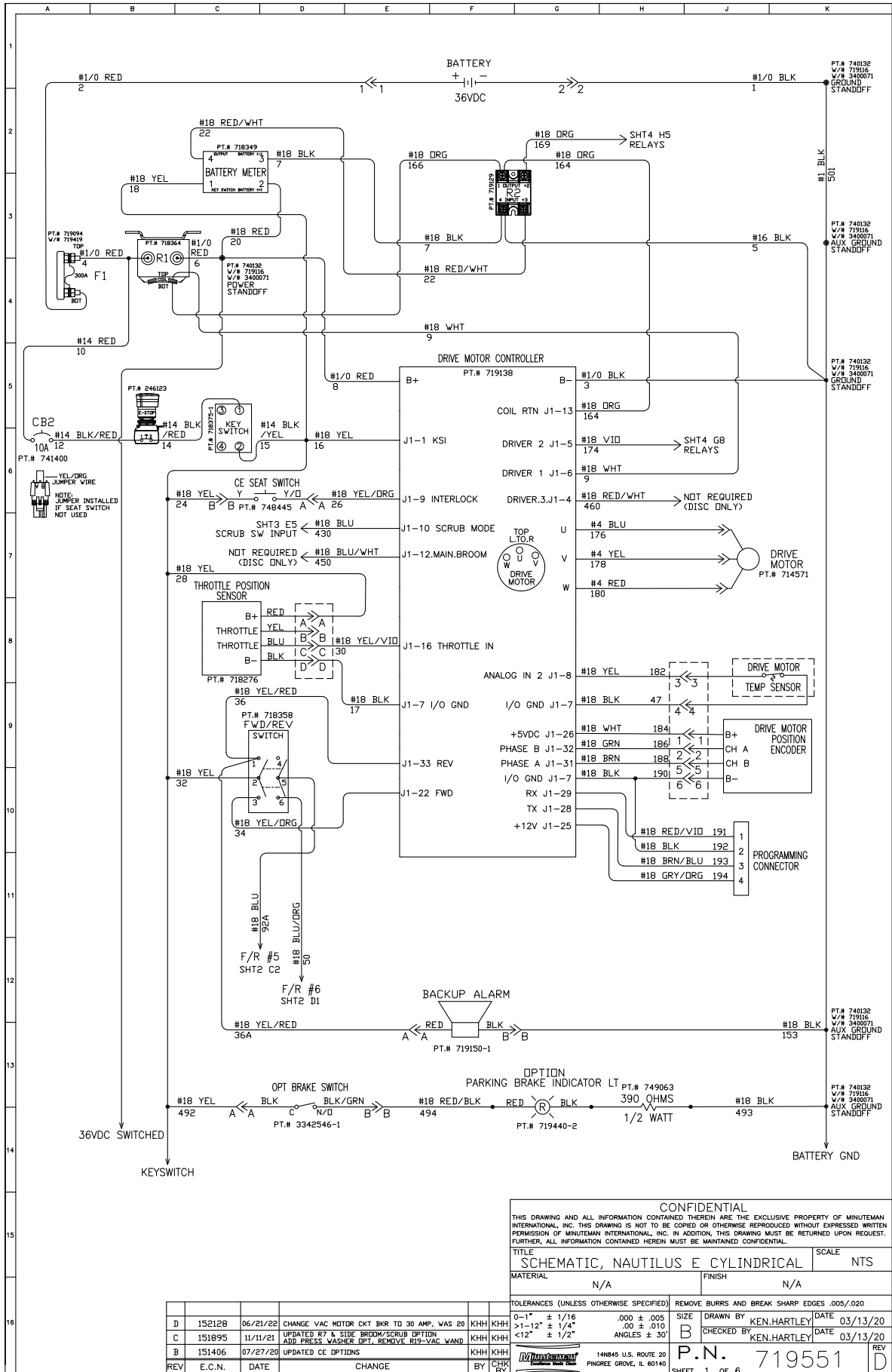
OPTION - PRIMOTHANE SQUEEGEE BLADES GROUP (718415)

PARTS LIST 718415		
ITEM	QTY	PART NUMBER
718416	1	SQUEEGEE BLADE, FRONT PRIMOTHANE
718417	1	SQUEEGEE BLADE, REAR PRIMOTHANE
718418	2	SQUEEGEE BLADE, SIDE PRIMOTHANE

OPTION - PROTECTIVE RAIL BUMPERS (719528)

PARTS LIST 719528		
ITEM	QTY	PART NUMBER
719529	18 FT	BUMPER, D-STYLE RUBBER IMPACT

CYLINDRICAL ELECTRICAL SCHEMATIC LAYOUT



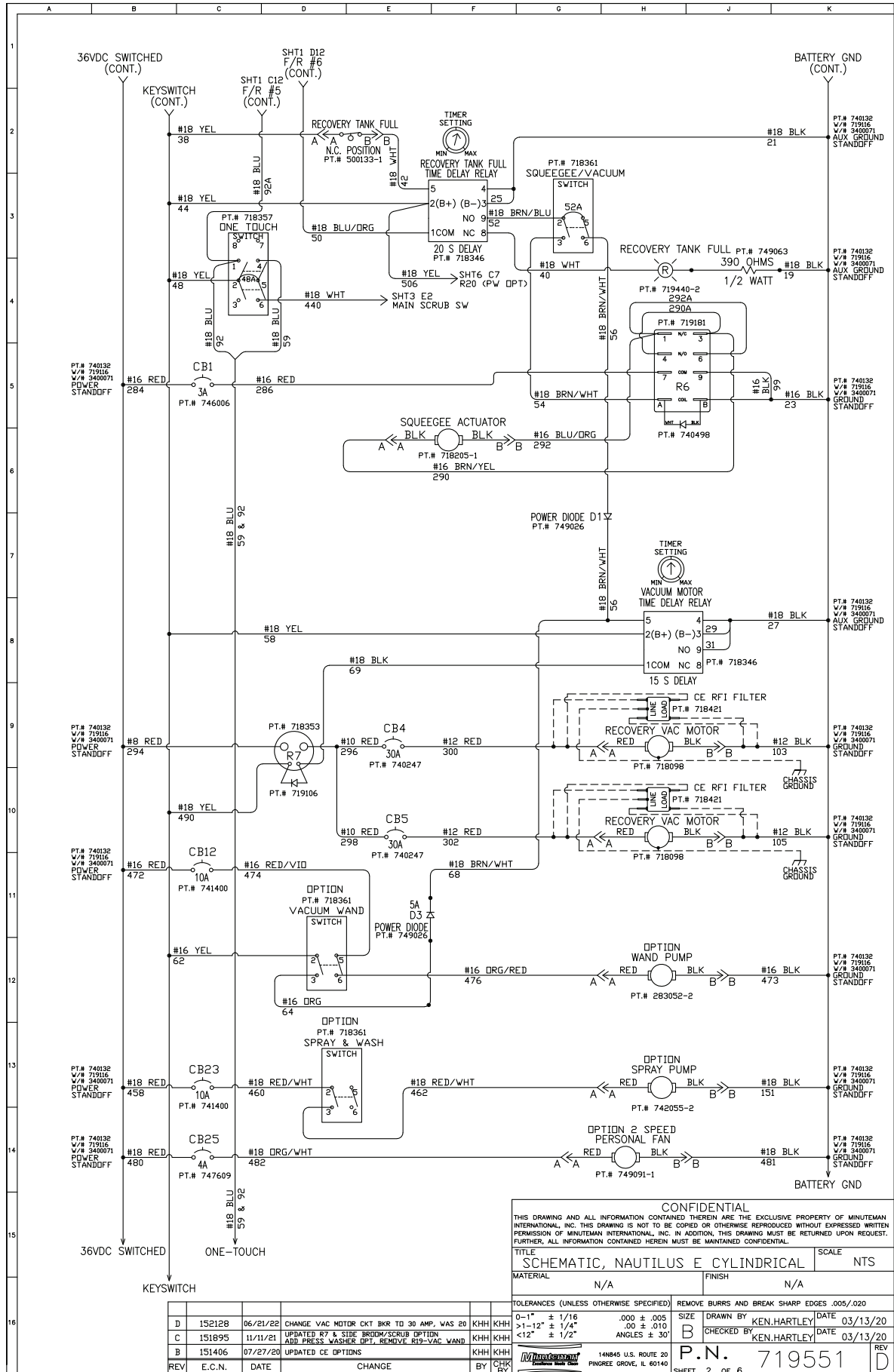
CONFIDENTIAL

THIS DRAWING AND ALL INFORMATION CONTAINED THEREIN ARE THE EXCLUSIVE PROPERTY OF MINUTEMAN INTERNATIONAL, INC. THIS DRAWING IS NOT TO BE COPIED OR OTHERWISE REPRODUCED WITHOUT EXPRESSED PERMISSION OF MINUTEMAN INTERNATIONAL, INC. IN ADDITION, THIS DRAWING MUST BE RETURNED UPON REQUEST. FURTHER, ALL INFORMATION CONTAINED HEREIN MUST BE MAINTAINED CONFIDENTIAL.

TITLE		SCALE	
SCHEMATIC, NAUTILUS E CYLINDRICAL		NTS	
MATERIAL		FINISH	
N/A		N/A	
TOLERANCES (UNLESS OTHERWISE SPECIFIED)			
0-1" ± 1/16	.000 ± .005	SIZE	REMOVE BURRS AND BREAK SHARP EDGES .005/.020
>1-12" ± 1/4"	.00 ± .010	B	DRAWN BY KEN.HARTLEY DATE 03/13/20
<12" ± 1/2"	ANGLES ± 30'	CHECKED BY KEN.HARTLEY	DATE 03/13/20
REV		P.N.	
E.C.N.	DATE	719551	
CHANGE		SHEET 1 OF 6	

D

CYLINDRICAL ELECTRICAL SCHEMATIC LAYOUT



CONFIDENTIAL

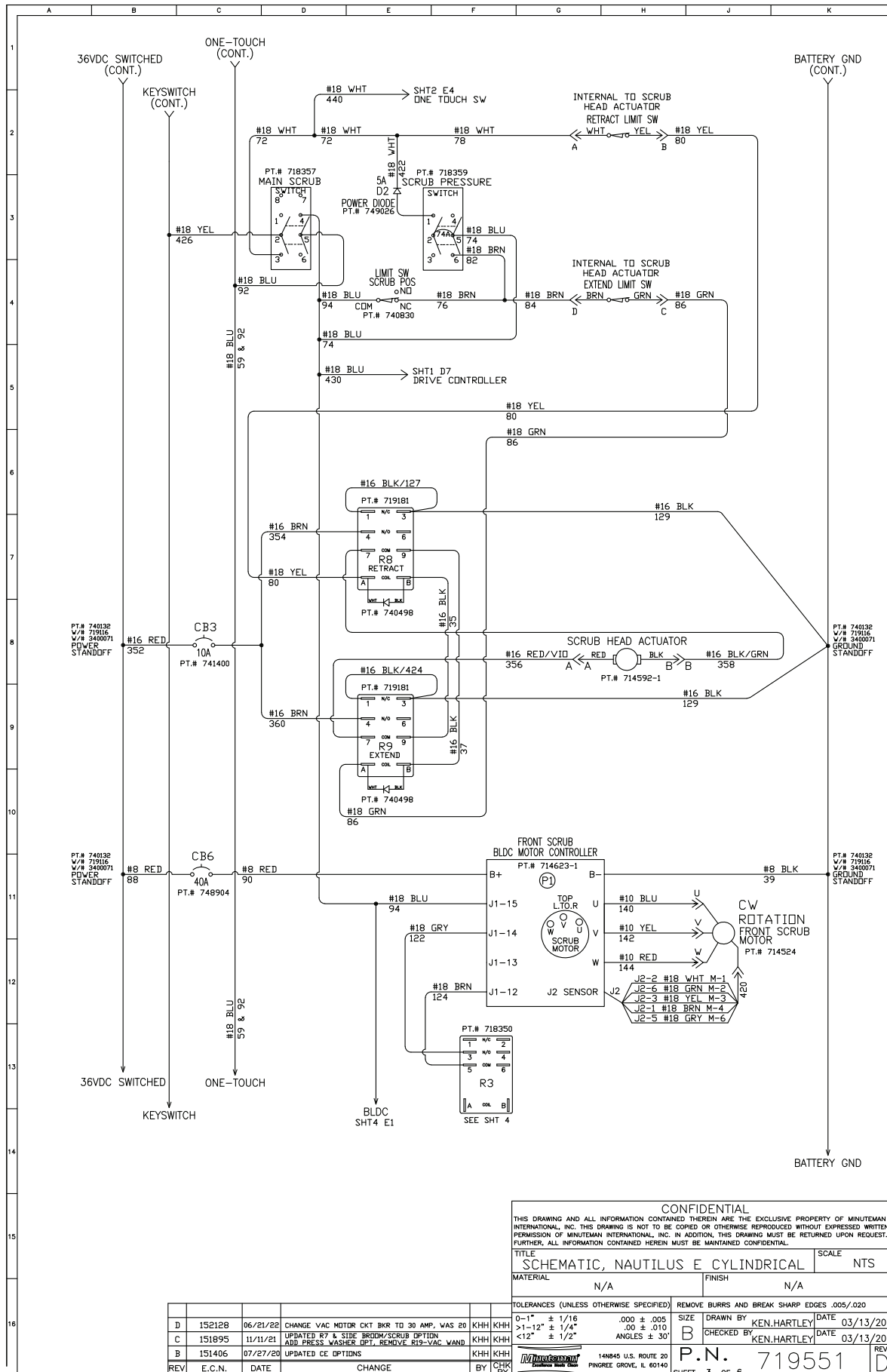
THIS DRAWING AND ALL INFORMATION CONTAINED THEREIN ARE THE EXCLUSIVE PROPERTY OF MINUTEMAN INTERNATIONAL, INC. THIS DRAWING IS NOT TO BE COPIED OR OTHERWISE REPRODUCED WITHOUT EXPRESSED WRITTEN PERMISSION OF MINUTEMAN INTERNATIONAL, INC. IN ADDITION, THIS DRAWING MUST BE RETURNED UPON REQUEST. FURTHER, ALL INFORMATION CONTAINED HEREIN MUST BE MAINTAINED CONFIDENTIAL.

TITLE		SCALE	
SCHEMATIC, NAUTILUS E CYLINDRICAL		NTS	
MATERIAL		FINISH	
N/A		N/A	
TOLERANCES (UNLESS OTHERWISE SPECIFIED) REMOVE BURRS AND BREAK SHARP EDGES .005/.020			
D	152128	06/21/22	CHANGE VAC MOTOR CKT BKR TO 30 AMP, WAS 20
C	151895	11/11/21	UPDATED R7 & SIDE BRUSH/SCRUB OPTION ADD PRESS WASHER OPT. REMOVE R19-VAC WAND
B	151406	07/27/20	UPDATED CE OPTIONS
REV	E.C.N.	DATE	CHANGE

SIZE	0-1" ± 1/16	DATE	03/13/20
SIZE	>1-12" ± 1/4"	DRAWN BY	KEN.HARTLEY
ANGLES	± 30'	CHECKED BY	KEN.HARTLEY
		DATE	03/13/20

P.N. 719551
 SHEET 2 OF 6

CYLINDRICAL ELECTRICAL SCHEMATIC LAYOUT

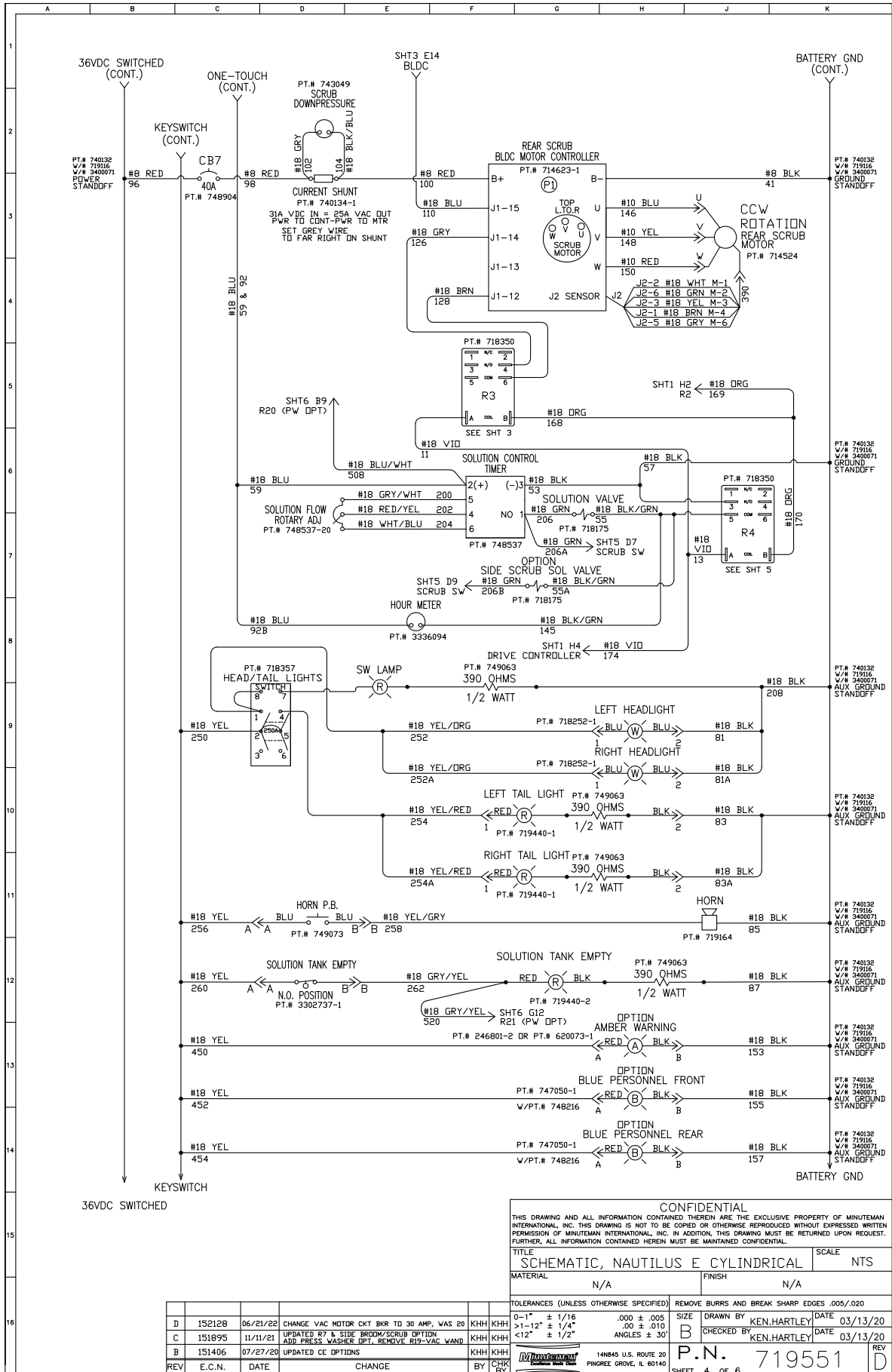


CONFIDENTIAL

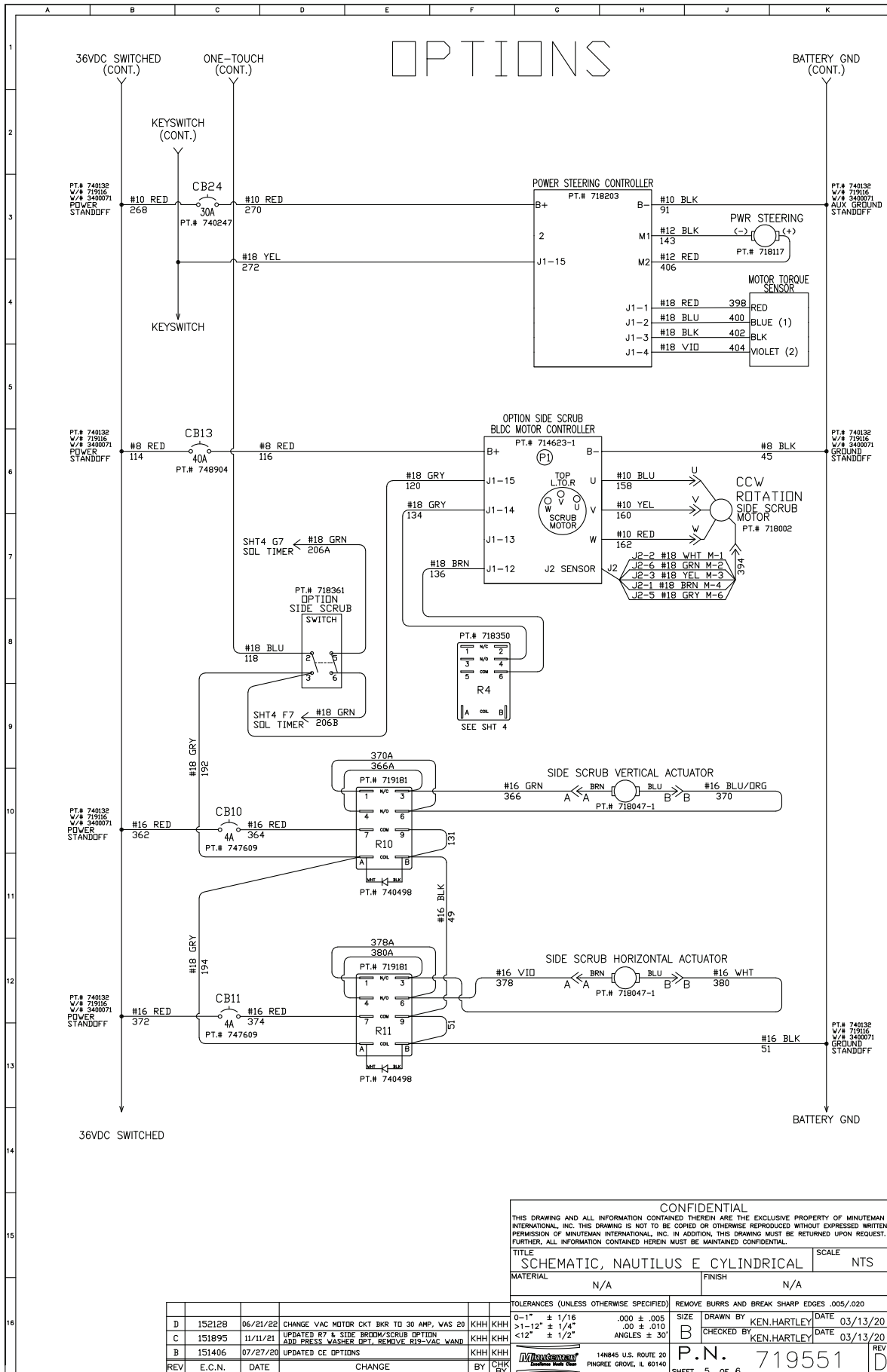
THIS DRAWING AND ALL INFORMATION CONTAINED THEREIN ARE THE EXCLUSIVE PROPERTY OF MINUTEMAN INTERNATIONAL, INC. THIS DRAWING IS NOT TO BE COPIED OR OTHERWISE REPRODUCED WITHOUT EXPRESSED WRITTEN PERMISSION OF MINUTEMAN INTERNATIONAL, INC. IN ADDITION, THIS DRAWING MUST BE RETURNED UPON REQUEST. FURTHER, ALL INFORMATION CONTAINED HEREIN MUST BE MAINTAINED CONFIDENTIAL.

TITLE		SCALE	
SCHEMATIC, NAUTILUS E CYLINDRICAL		NTS	
MATERIAL		FINISH	
N/A		N/A	
TOLERANCES (UNLESS OTHERWISE SPECIFIED) REMOVE BURRS AND BREAK SHARP EDGES .005/.020			
0-1" ± 1/16"		SIZE	
.000 ± .005		DRAWN BY	
.00 ± .010		KEN.HARTLEY	
>1-12" ± 1/4"		DATE	
<12" ± 1/2"		03/13/20	
ANGLES ± 30'		CHECKED BY	
		KEN.HARTLEY	
		DATE	
		03/13/20	
REV		P.N.	
E.C.N.		719551	
DATE		SHEET	
06/21/22		3 OF 6	
CHANGE		BY	
		D	

CYLINDRICAL ELECTRICAL SCHEMATIC LAYOUT



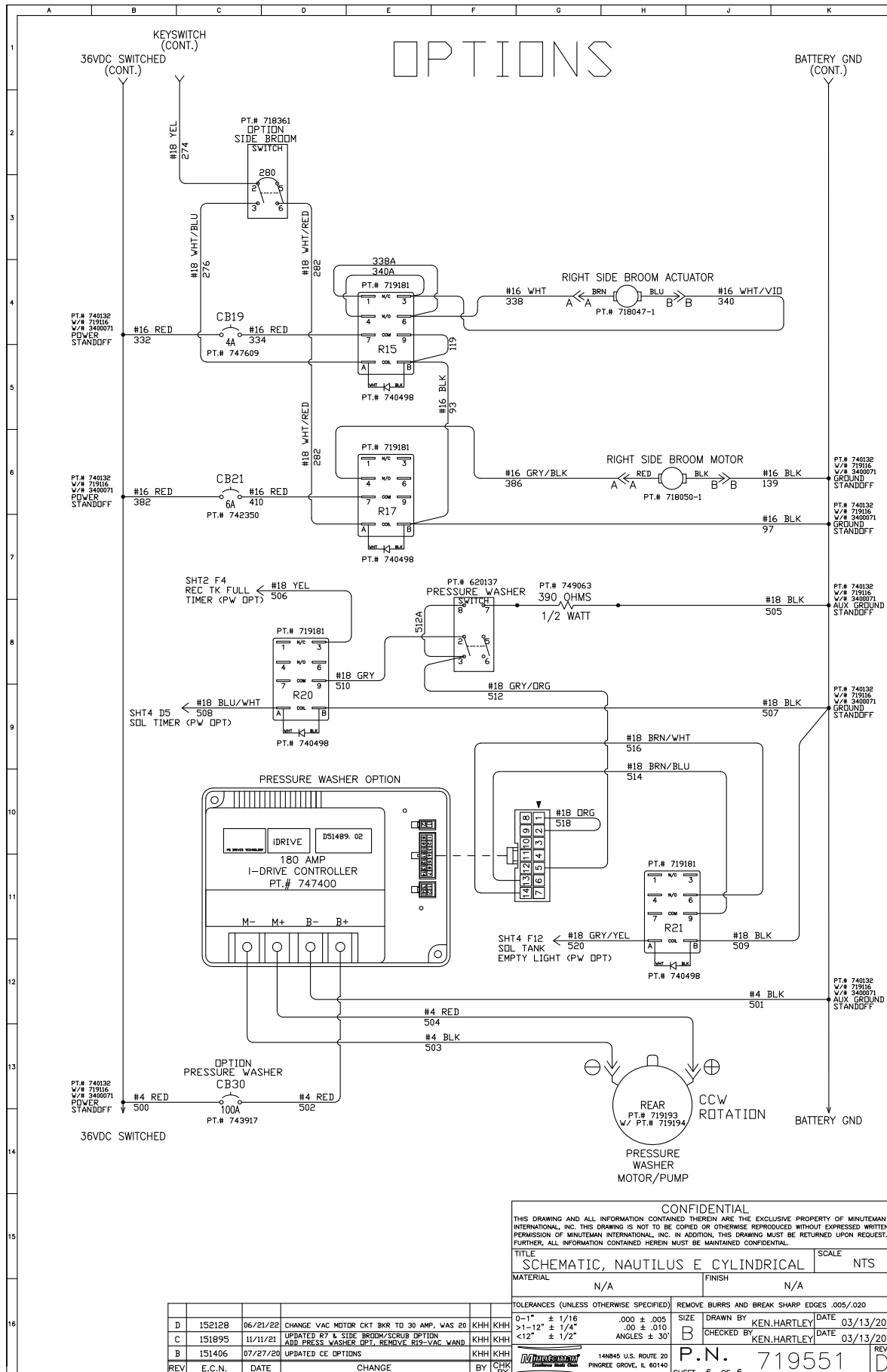
CYLINDRICAL ELECTRICAL SCHEMATIC LAYOUT



CONFIDENTIAL		THIS DRAWING AND ALL INFORMATION CONTAINED THEREIN ARE THE EXCLUSIVE PROPERTY OF MINUTEMAN INTERNATIONAL, INC. THIS DRAWING IS NOT TO BE COPIED OR OTHERWISE REPRODUCED WITHOUT EXPRESSED PERMISSION OF MINUTEMAN INTERNATIONAL, INC. IN ADDITION, THIS DRAWING MUST BE RETURNED UPON REQUEST. FURTHER, ALL INFORMATION CONTAINED HEREIN MUST BE MAINTAINED CONFIDENTIAL.	
TITLE SCHEMATIC, NAUTILUS E CYLINDRICAL		SCALE NTS	
MATERIAL N/A		FINISH N/A	
TOLERANCES (UNLESS OTHERWISE SPECIFIED)		REMOVE BURRS AND BREAK SHARP EDGES .005/.020	
0-1" ± 1/16	.000 ± .005	SIZE	DATE 03/13/20
>1-12" ± 1/4"	.00 ± .010	B	DRAWN BY KEN.HARTLEY
<12" ± 1/2"	ANGLES ± 30'	CHCKED BY	DATE 03/13/20
BY CHK RY		P.N. 719551	
14N845 U.S. ROUTE 20 PINOORE GROVE, IL 60140		SHEET 5 OF 6	

REV	E.C.N.	DATE	CHANGE	BY	CHK RY
D	152128	06/21/22	CHANGE VAC MOTOR CKT BKR TO 30 AMP, WAS 20	KHH	KHH
C	151895	11/11/21	UPDATED RP & SIDE BRDR/SCRUB OPTION AND PRESS WASHES DET. REMOVE 60V-VAC WAND	KHH	KHH
B	151406	07/27/20	UPDATED CE OPTIONS	KHH	KHH
REV	E.C.N.	DATE	CHANGE	BY	CHK RY

CYLINDRICAL ELECTRICAL SCHEMATIC LAYOUT



CONFIDENTIAL

THIS DRAWING AND ALL INFORMATION CONTAINED THEREIN ARE THE EXCLUSIVE PROPERTY OF MINUTEMAN INTERNATIONAL, INC. THIS DRAWING IS NOT TO BE COPIED OR OTHERWISE REPRODUCED WITHOUT EXPRESSED WRITTEN PERMISSION OF MINUTEMAN INTERNATIONAL, INC. IN ADDITION, THIS DRAWING MUST BE RETURNED UPON REQUEST. FURTHER, ALL INFORMATION CONTAINED HEREIN MUST BE MAINTAINED CONFIDENTIAL.

TITLE		SCALE	
SCHEMATIC, NAUTILUS E CYLINDRICAL		NTS	
MATERIAL		FINISH	
N/A		N/A	
TOLERANCES (UNLESS OTHERWISE SPECIFIED)			
0-1" ± 1/16		SIZE	REMOVE BURRS AND BREAK SHARP EDGES .005/.020
>1-12" ± 1/4"		.000 ± .005	DRAWN BY KEN.HARTLEY
<12" ± 1/2"		.00 ± .010	
ANGLES ± 30°		B	DATE 03/13/20
CHECKED BY KEN.HARTLEY		DATE 03/13/20	
REV		P.N.	
E.C.N.		719551	
DATE		SHEET 6 OF 6	
CHANGE		DRAWN BY KEN.HARTLEY	
BY		DATE 03/13/20	

D

PowerBoss®
The Power of Clean

“The Power of Clean”

**PowerBoss® is a Full Line Manufacturer of Sweepers and Scrubbers,
for Industrial Facilities.**

PowerBoss®, Minuteman International, Inc. 14N845 U.S. Route 20 Pingree Grove, Illinois 60140
Phone: 800-323-9420 www.PowerBoss.com Email: tech@powerboss.com
A Member of the Hako Group

Nautilus Electric Scrubber #988768 Rev. F 04/23

PowerBoss® Copyright 2021